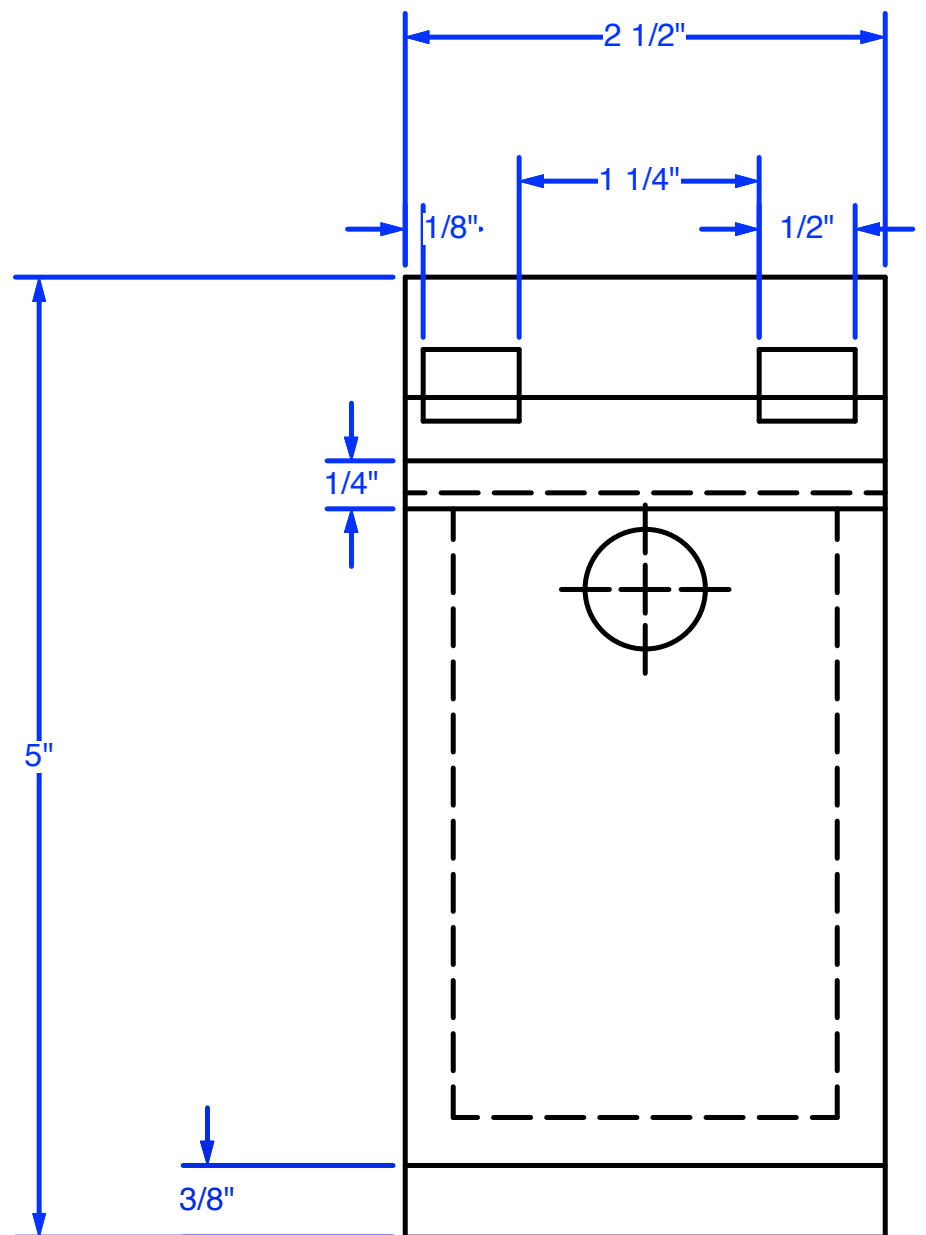
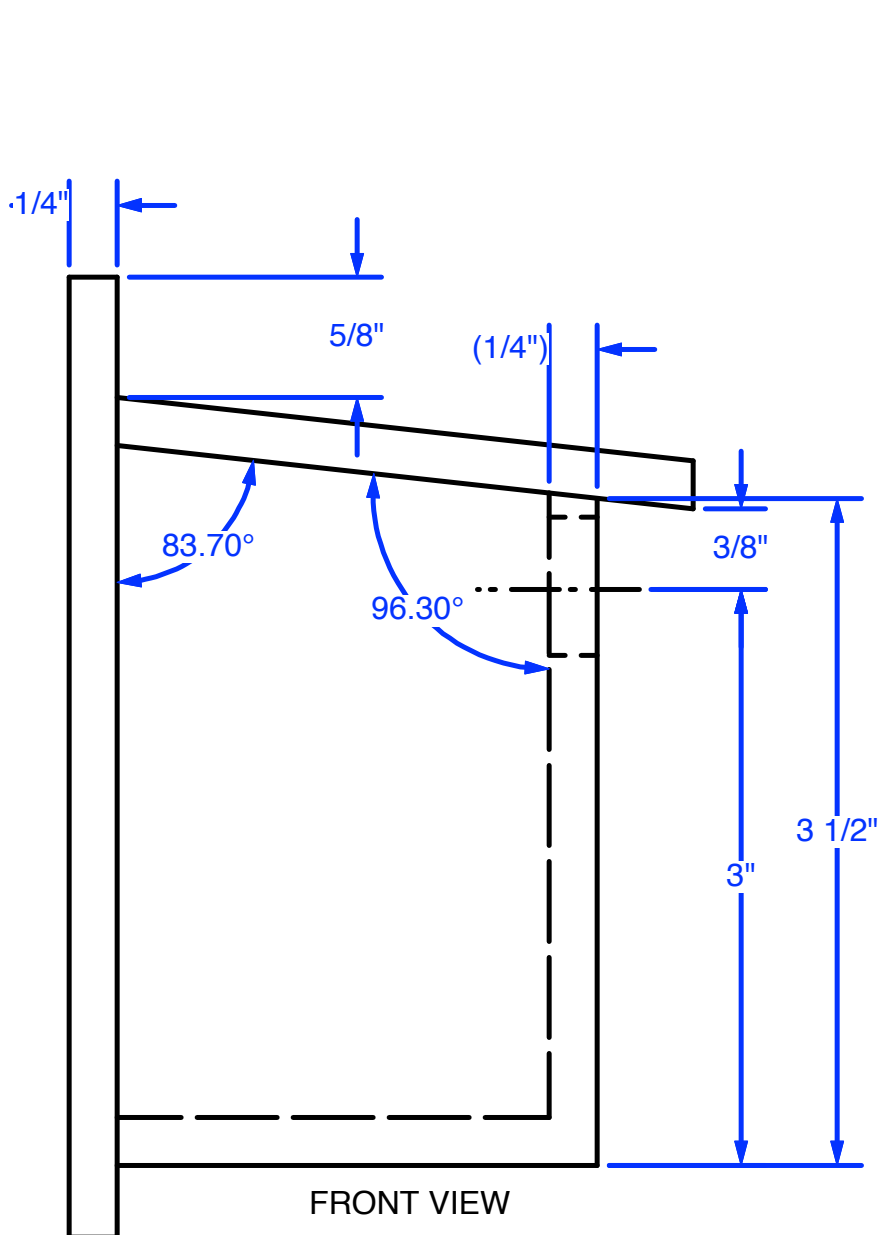
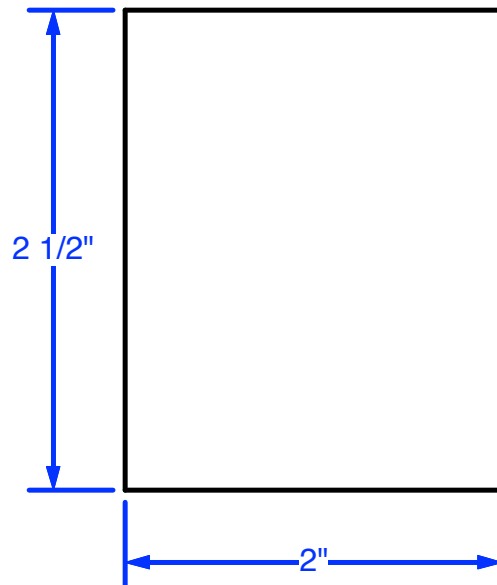
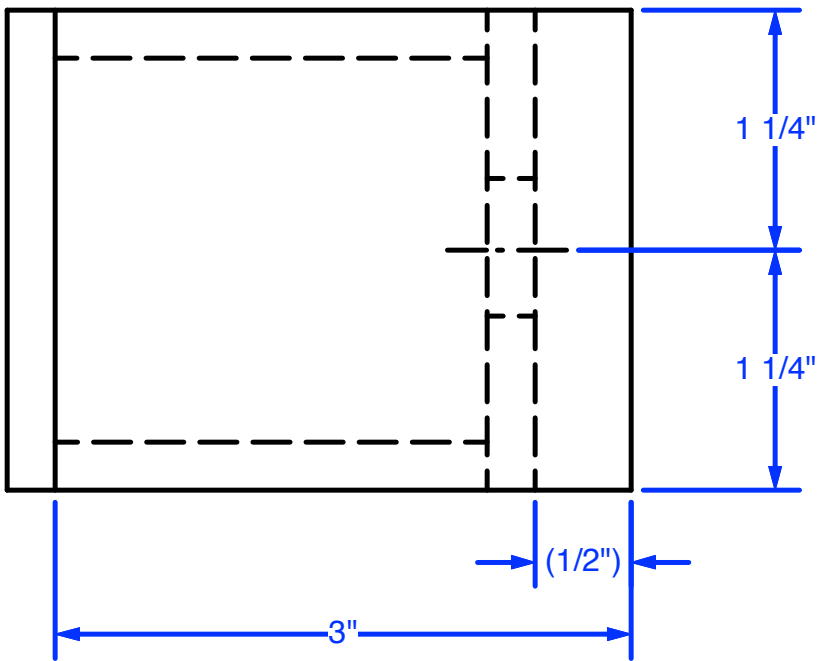




TOP VIEW

BOTTOM PIECE



FRONT VIEW

RIGHT SIDE VIEW

STEVENSON HIGH SCHOOL
TECHNOLOGY EDUCATION DEPARTMENT TECHNICAL DRAWING PROGRAM

DRN BY: J. MILLMAN
DATE: 12.6.10
SCALE: 1/2

BIRDHOUSE
MULTIVIEW