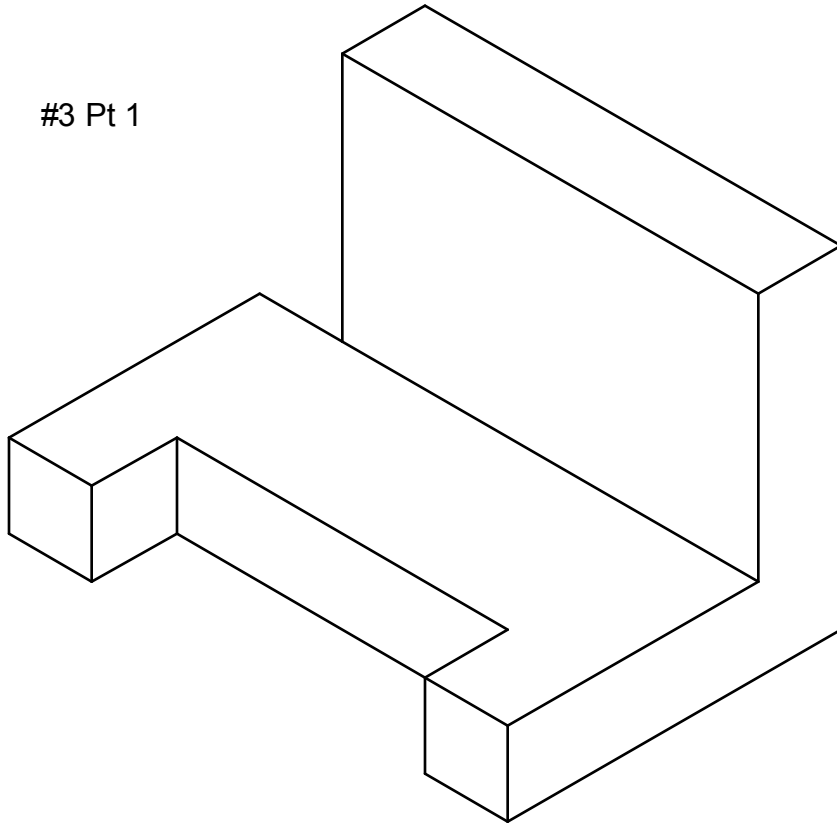


#3 Pt 1



#4 Pt 1

