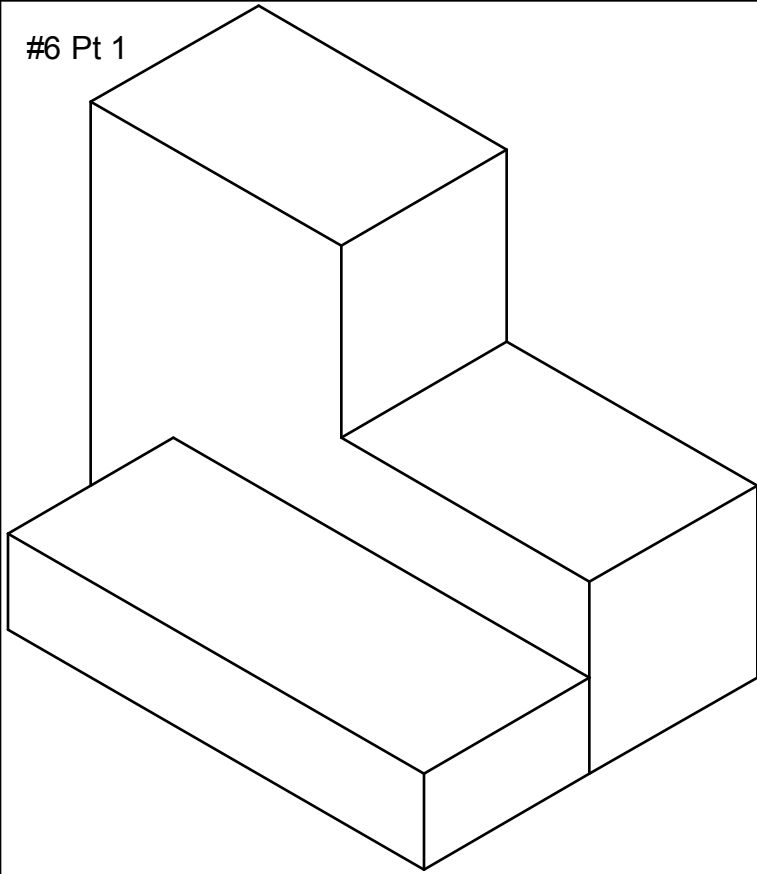
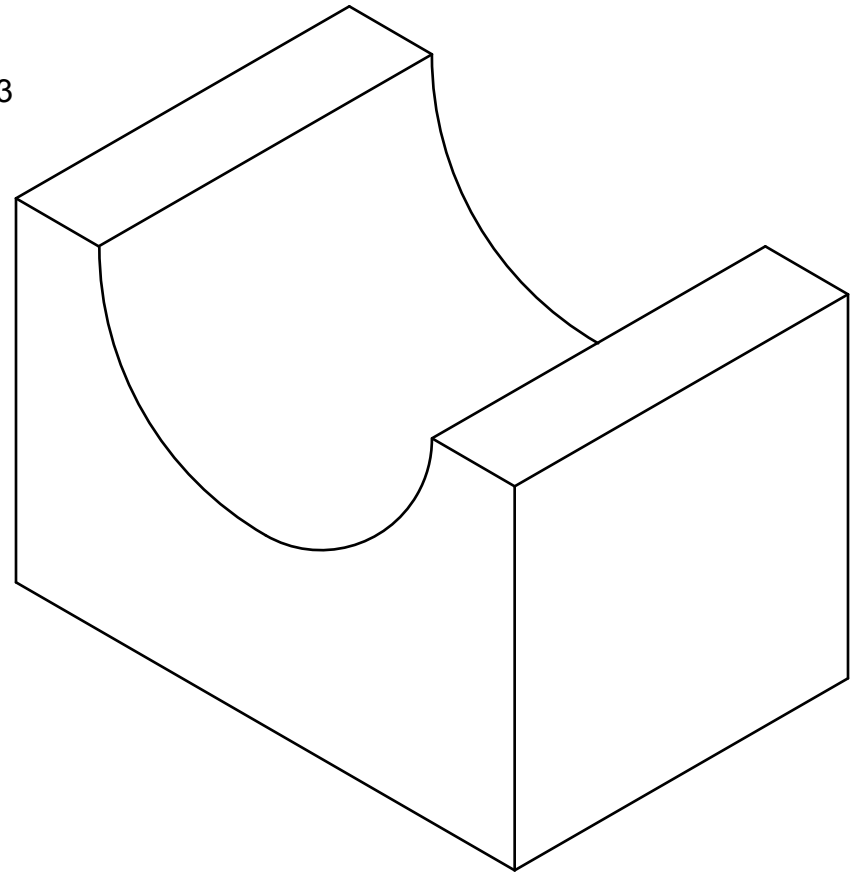


#6 Pt 1



#3 Pt 3



STEVENSON HIGH SCHOOL
TECHNOLOGY EDUCATION DEPARTMENT
TECHNICAL DRAWING PROGRAM

DRN BY: Tommy Fautleroy

DATE: 11/2/11

SCALE: 1:1

Pictoral/Isometric #1-2

1

1