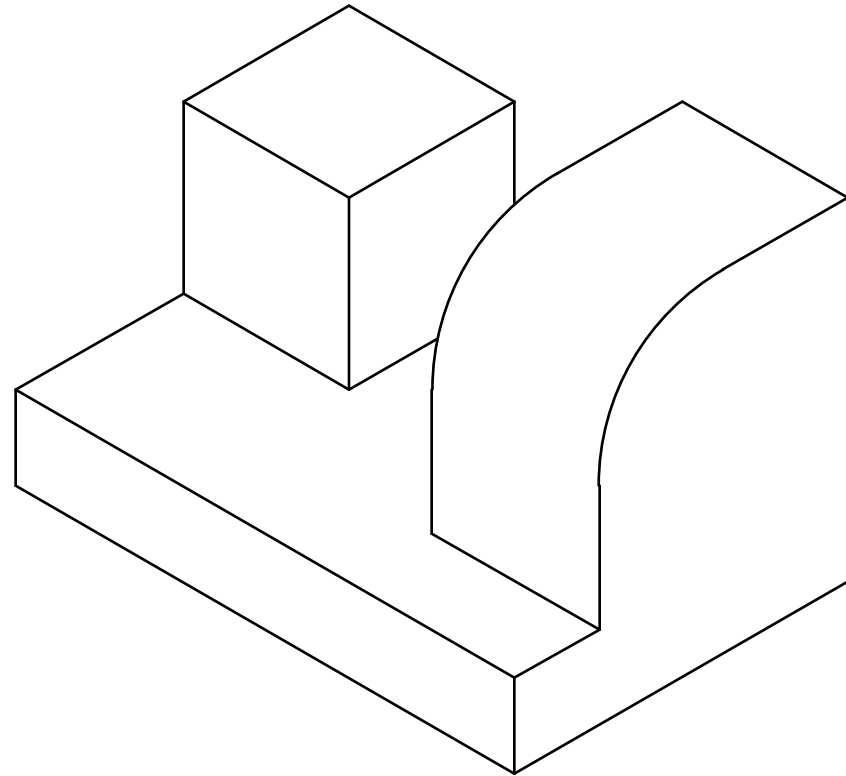
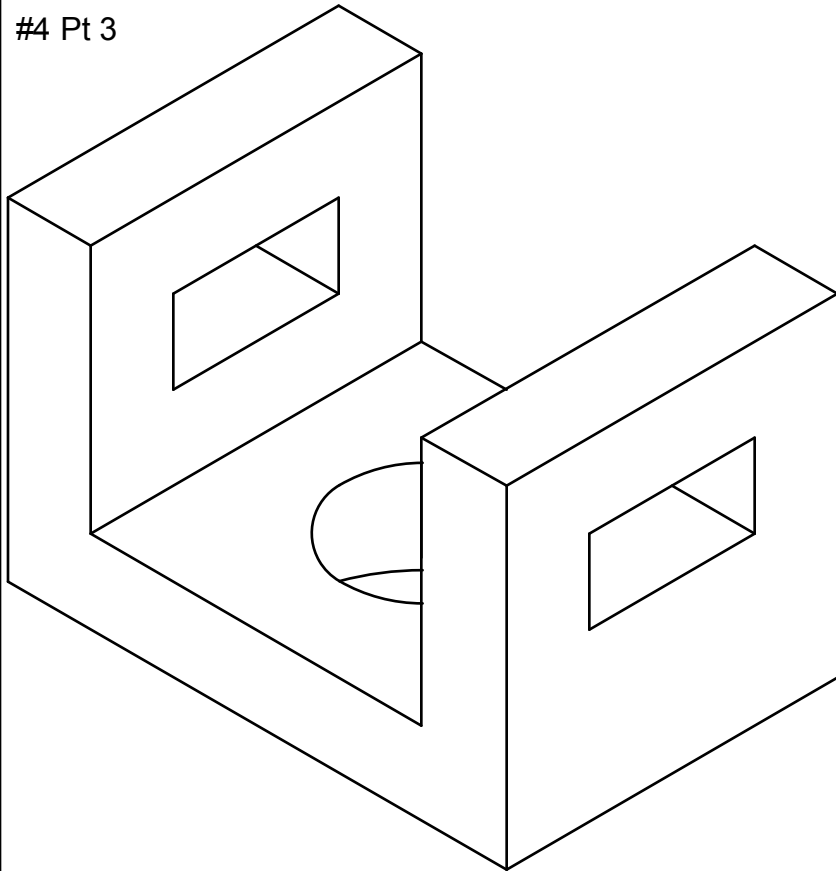


#4 Pt 3



STEVENSON HIGH SCHOOL
TECHNOLOGY EDUCATION DEPARTMENT
TECHNICAL DRAWING PROGRAM

DRN BY: Tommy Fautleroy

DATE: 11/3/11

SCALE: 1:1

Pictoral/Isometric #3-4

1

1