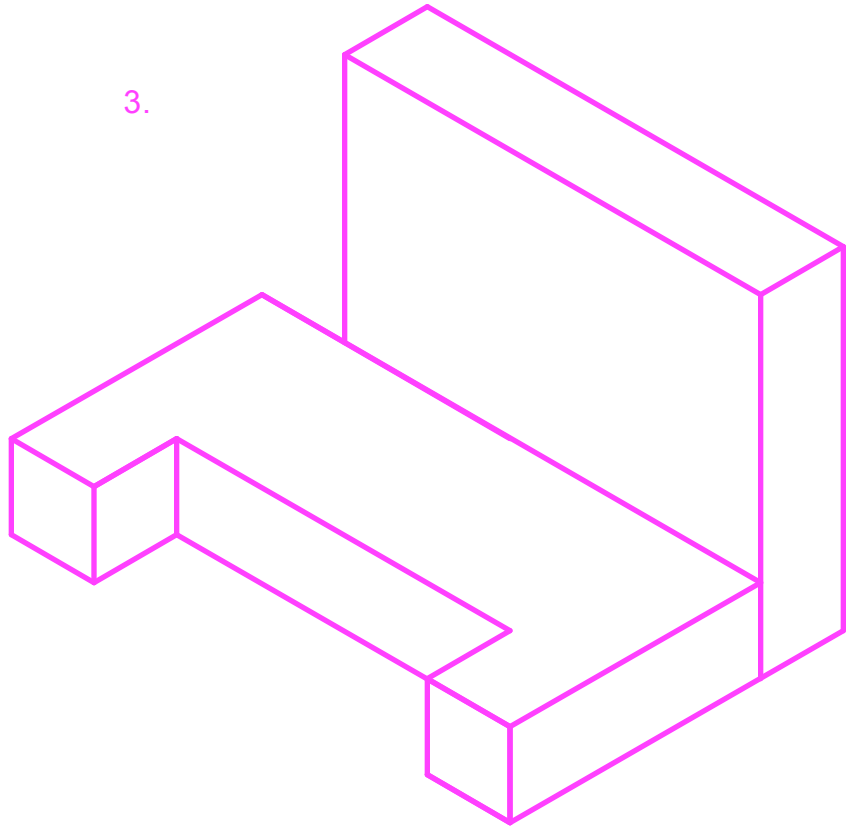
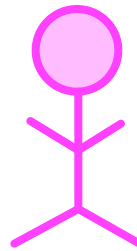
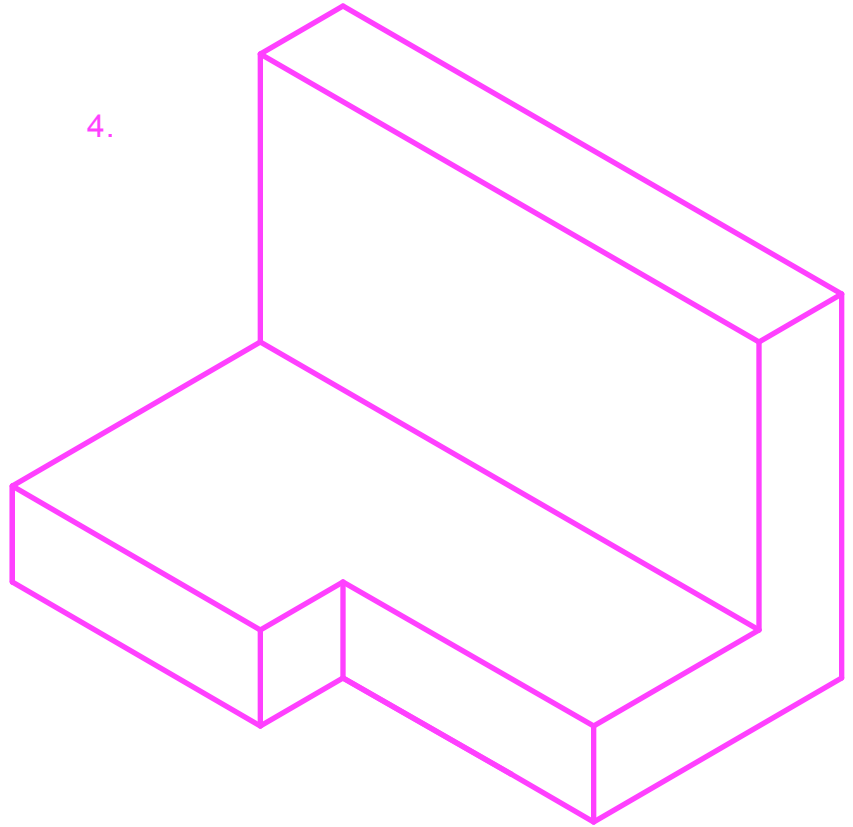


3.



4.



bob



**STEVENSON HIGH SCHOOL**  
 TECHNOLOGY EDUCATION DEPARTMENT  
 TECHNICAL DRAWING PROGRAM

DRN BY: Sarah Geiselman  
 DATE: 11/3/11  
 SCALE: 1-1

Isometric Pictorial  
 Sketching 2

1  
 1