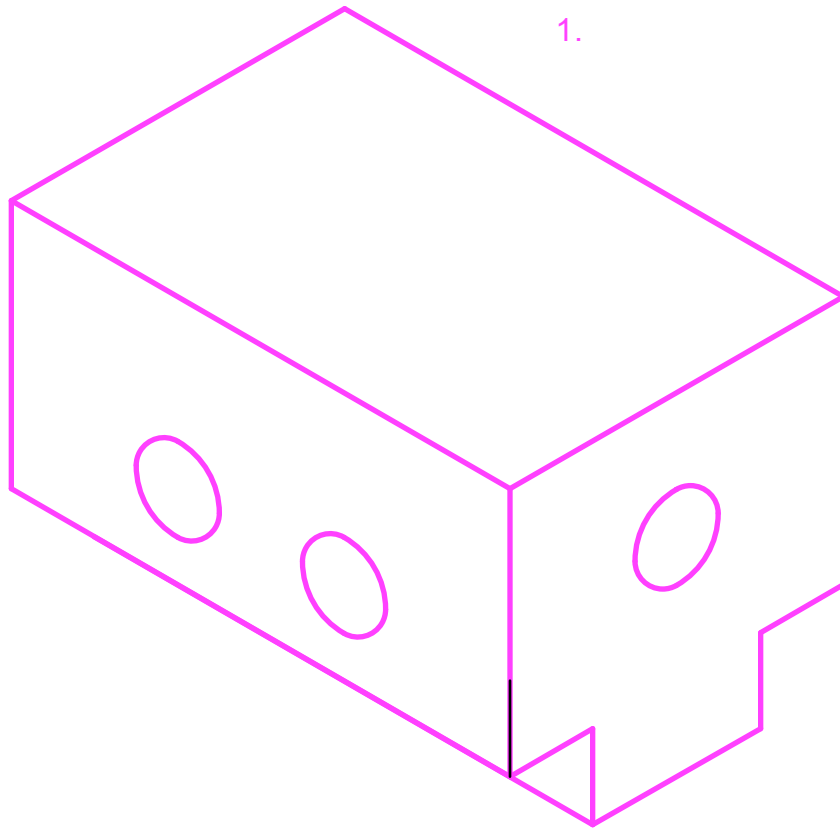
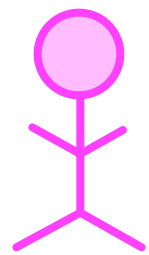
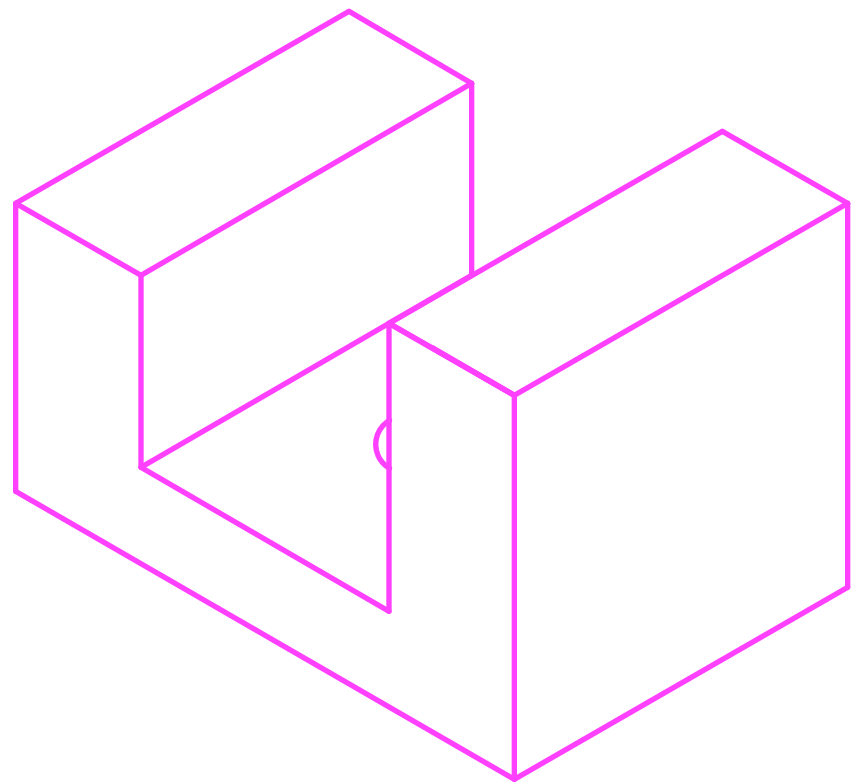


1.



2.



bob



STEVENSON HIGH SCHOOL
 TECHNOLOGY EDUCATION DEPARTMENT
 TECHNICAL DRAWING PROGRAM

DRN BY: Sarah Geiselman
 DATE: 11/4/11
 SCALE: 1-1

Isometric Pictorial
 Sketching Part 3

1
 1