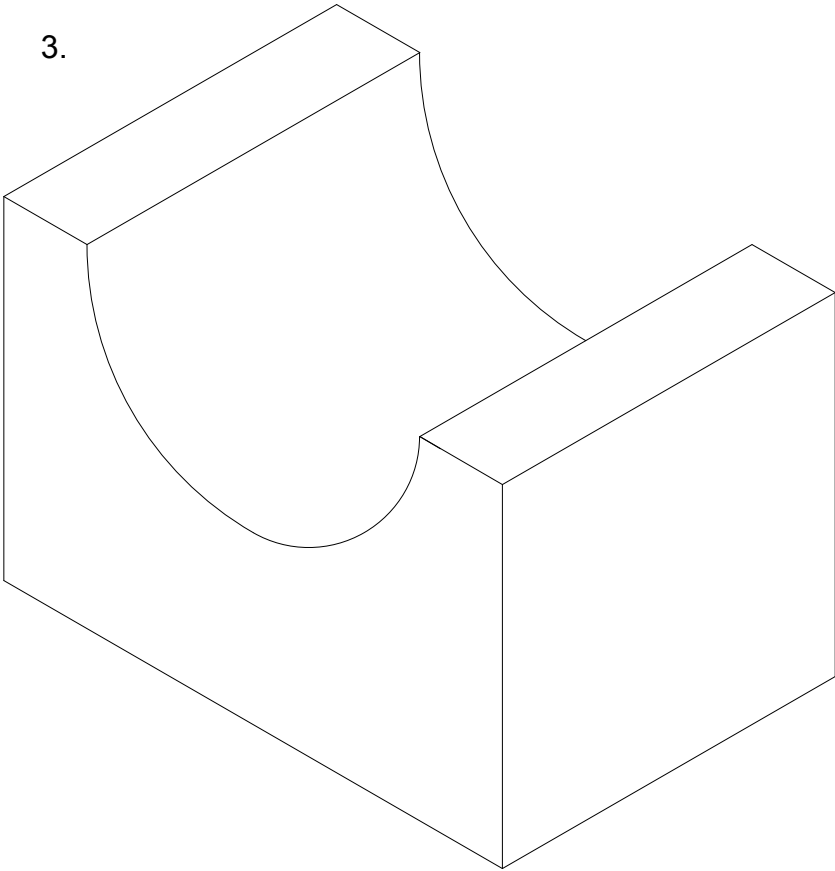
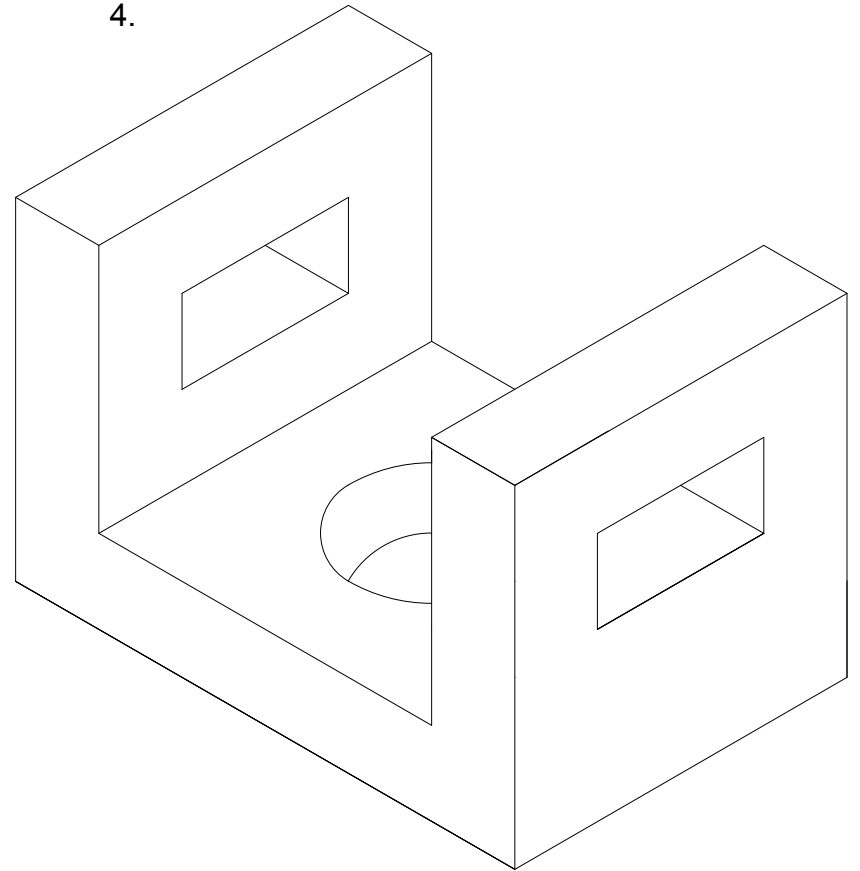


3.



4.



STEVENSON HIGH SCHOOL
TECHNOLOGY EDUCATION DEPARTMENT
TECHNICAL DRAWING PROGRAM

DRN BY:KEYA PATEL

DATE:11/8/11

SCALE:1:1

1

1