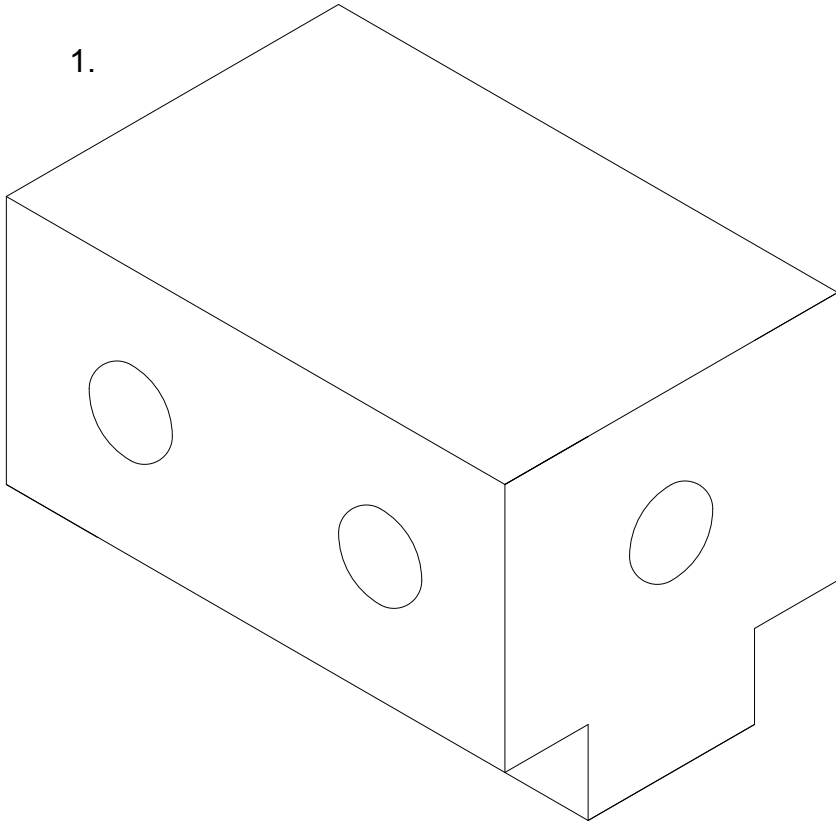
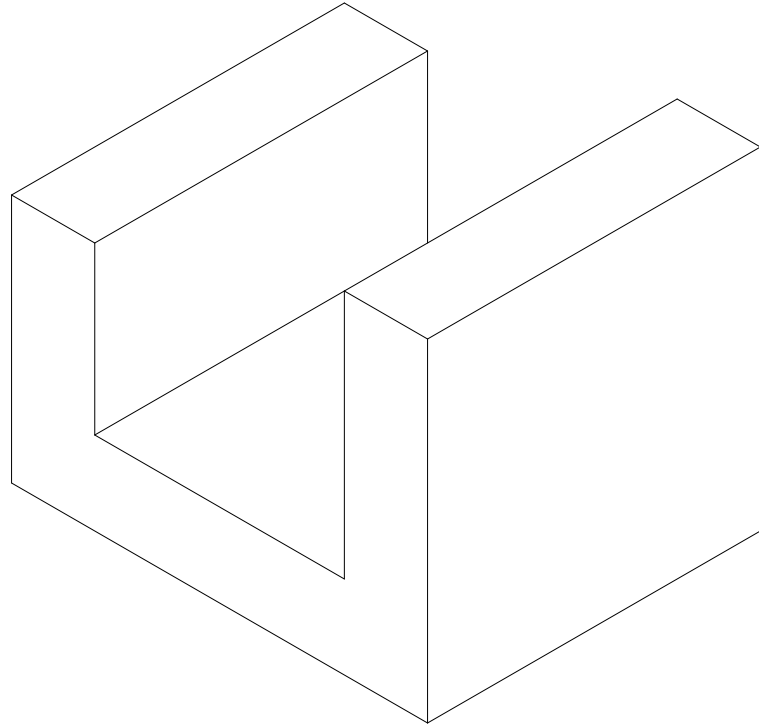


1.



2.



**STEVENSON HIGH SCHOOL**  
TECHNOLOGY EDUCATION DEPARTMENT  
TECHNICAL DRAWING PROGRAM

DRN BY: KEYA PATEL

DATE: 11/8/11

SCALE: 1:1

1

1