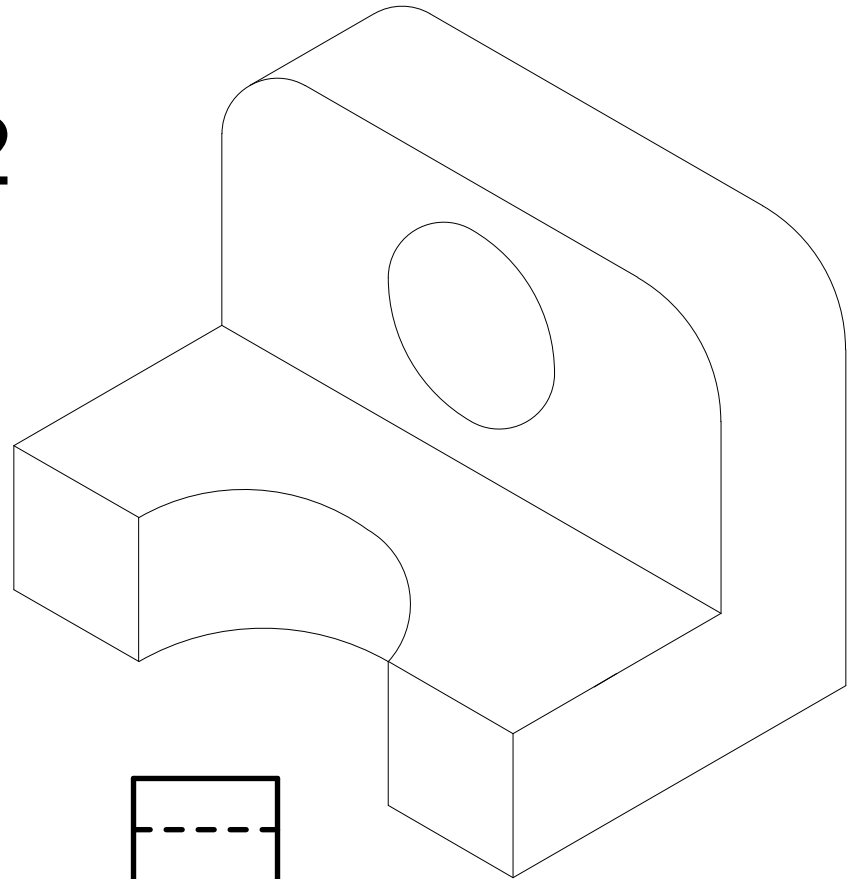
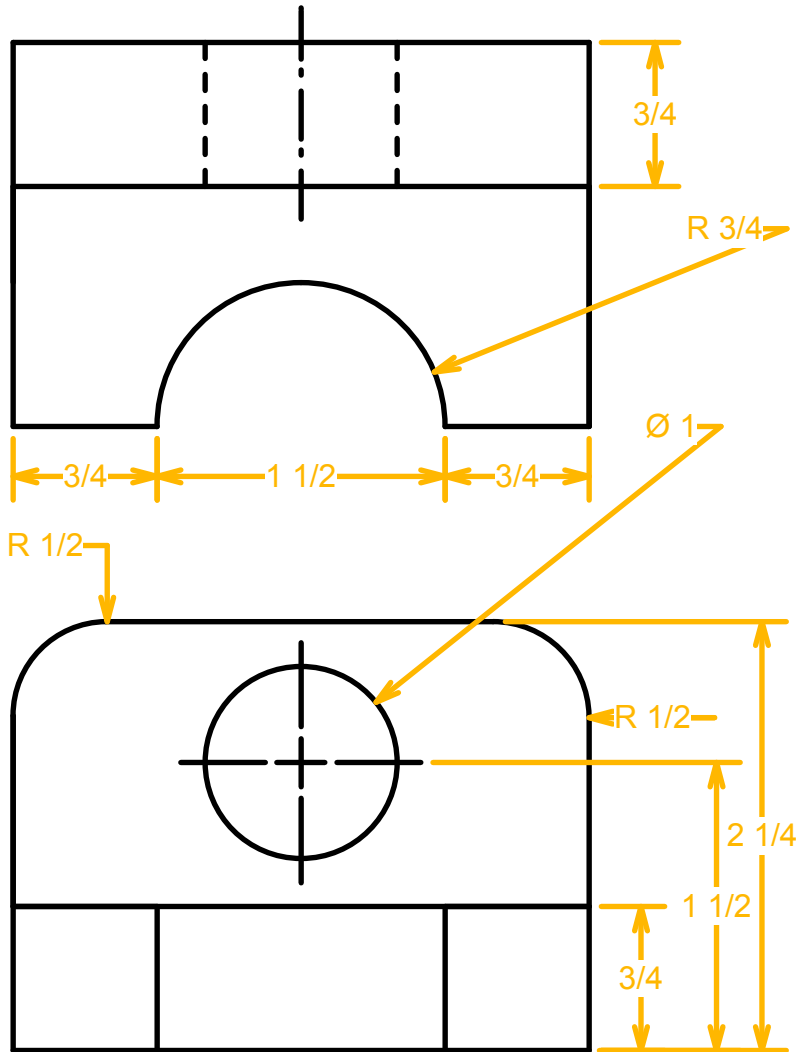


#2



STEVENSON HIGH SCHOOL
TECHNOLOGY EDUCATION DEPARTMENT
TECHNICAL DRAWING PROGRAM

DRN BY: MICHELLE CRUZ

DATE: 12-1-11

SCALE: FULL

DIMENSION PRACTICE 3 #2

1

1