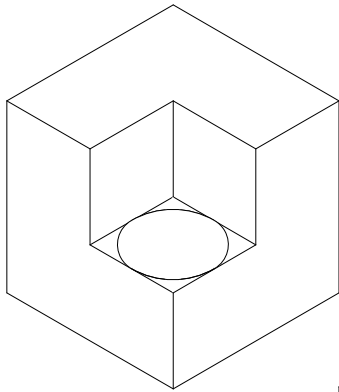
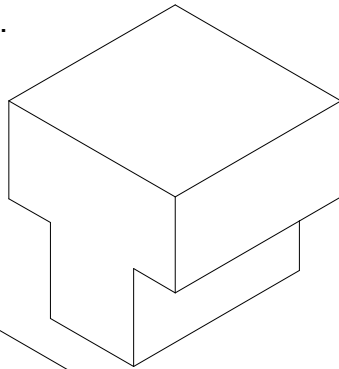


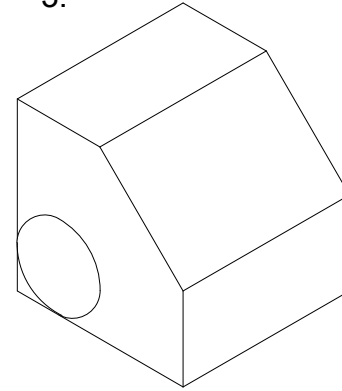
1.



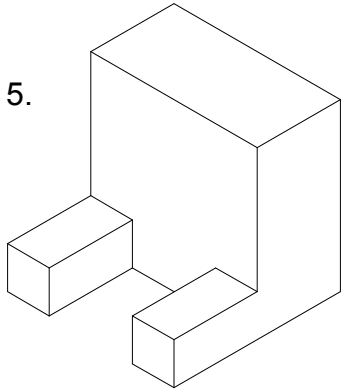
2.



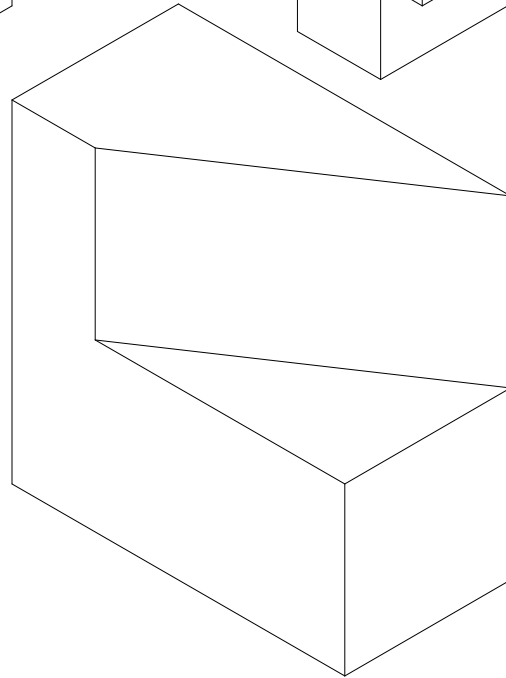
3.



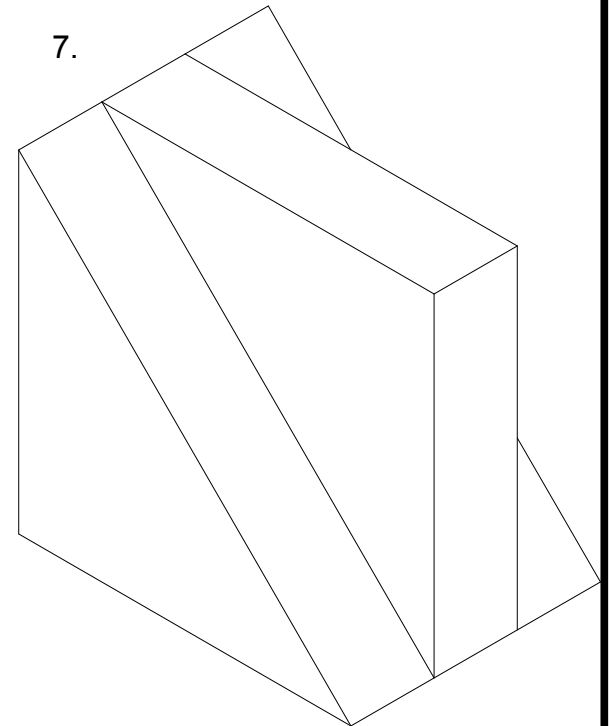
5.



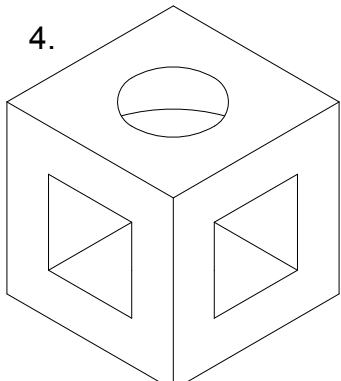
6.



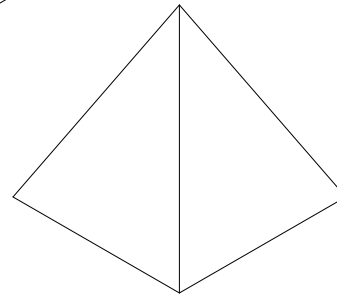
7.



4.



8.



STEVENSON HIGH SCHOOL
TECHNOLOGY EDUCATION DEPARTMENT
TECHNICAL DRAWING PROGRAM

DRN BY: Jeff Olson

DATE: 10/25/11

SCALE: Full

Iso practice 2

1

1