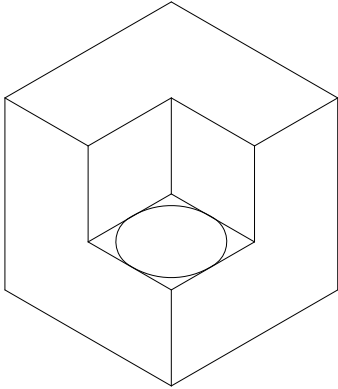
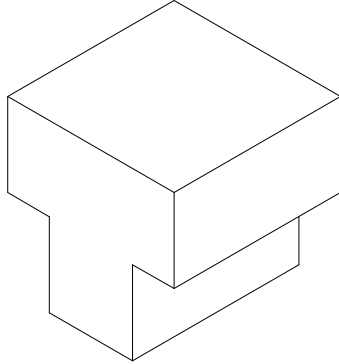


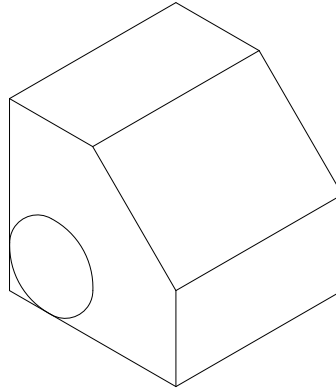
1.



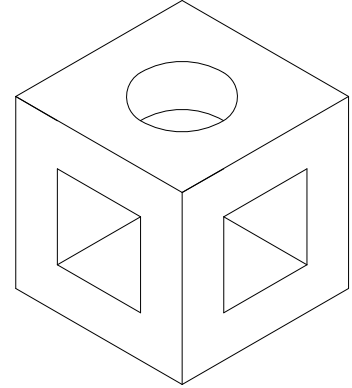
2.



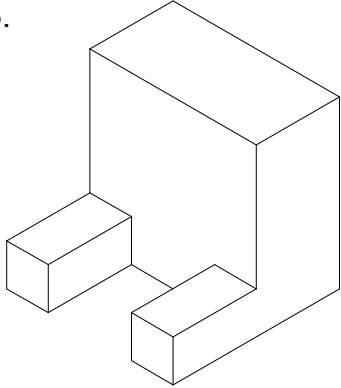
3.



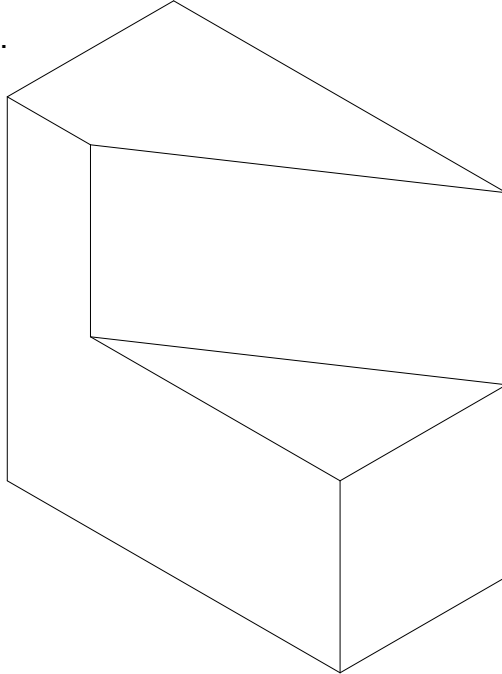
4.



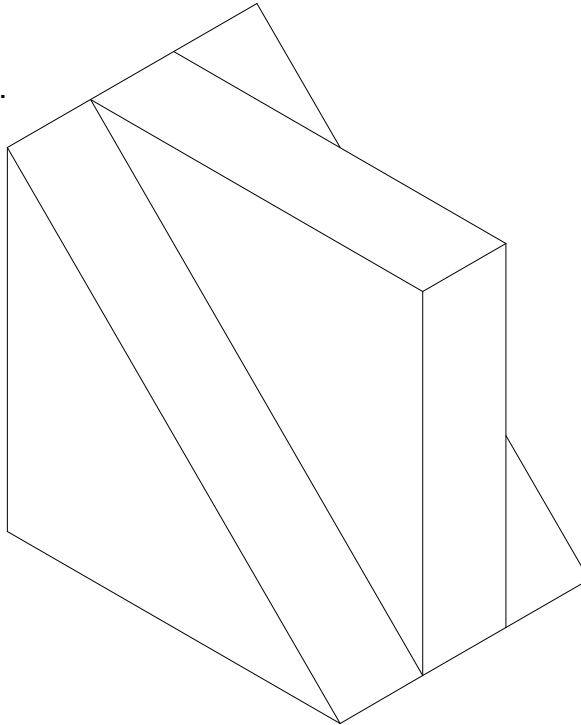
5.



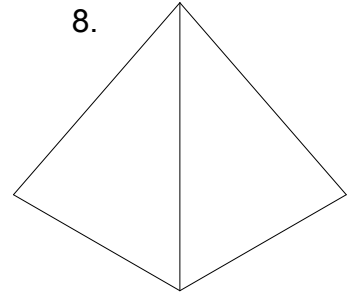
6.



7.



8.



STEVENSON HIGH SCHOOL
TECHNOLOGY EDUCATION DEPARTMENT
TECHNICAL DRAWING PROGRAM

DRN BY: JEREMY SCHUSTER

DATE: 10/24/11

SCALE: FULL

ISOMETRIC PRACTICE 2

1

1