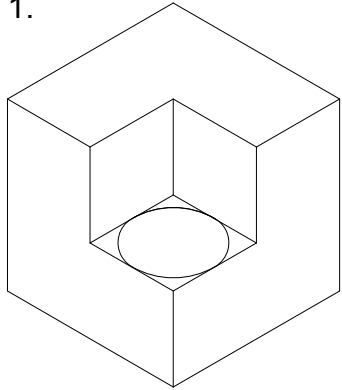
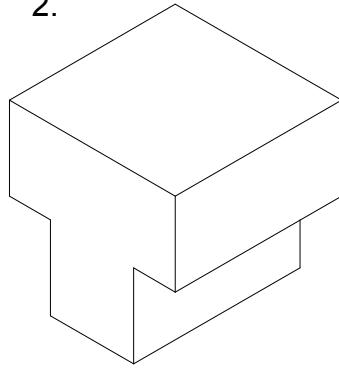


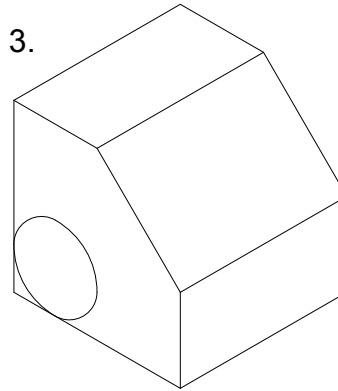
1.



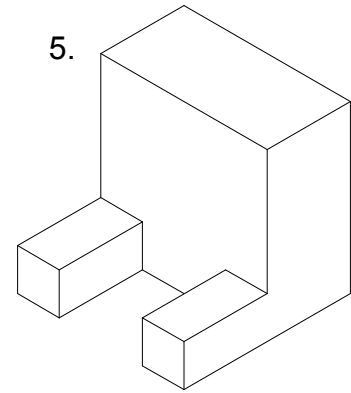
2.



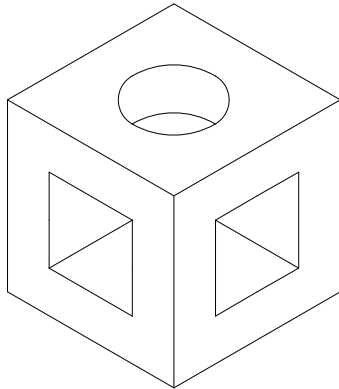
3.



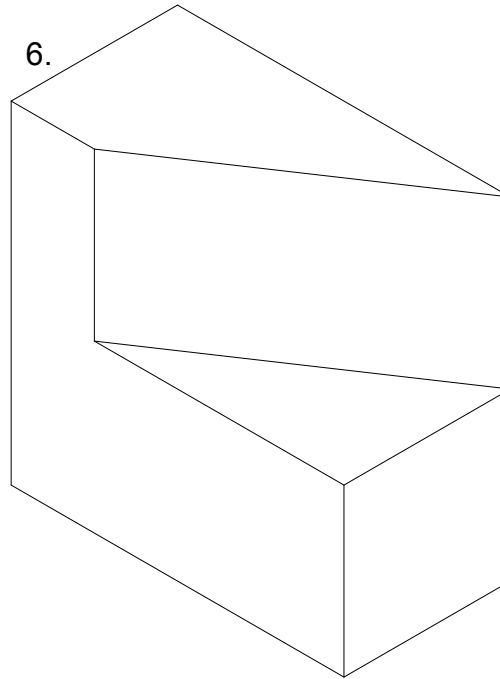
5.



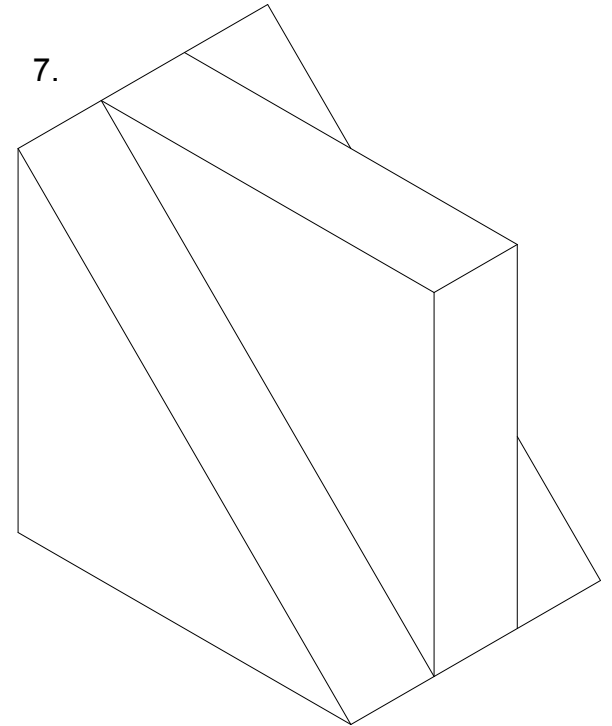
4.



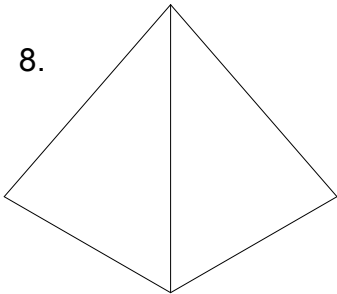
6.



7.



8.



STEVENSON HIGH SCHOOL
TECHNOLOGY EDUCATION DEPARTMENT
TECHNICAL DRAWING PROGRAM

DRN BY: K TROTTER

DATE: 10/20/11

SCALE: FULL

ISOMETRIC PRACTICE 2

1

1