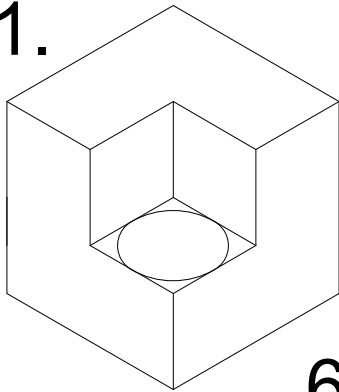
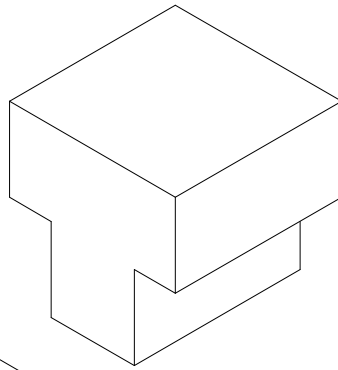


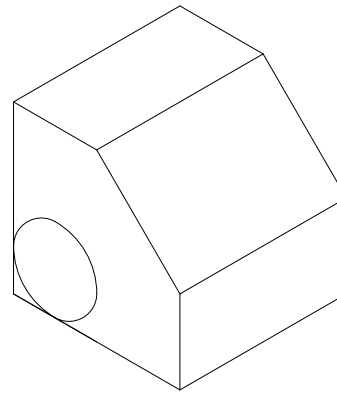
1.



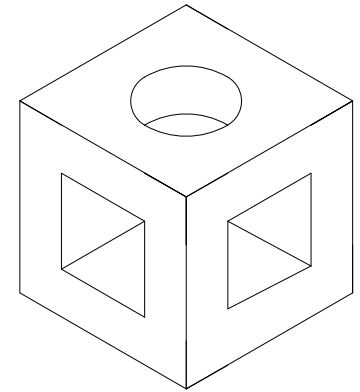
2.



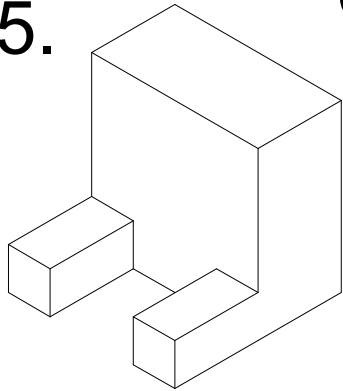
3.



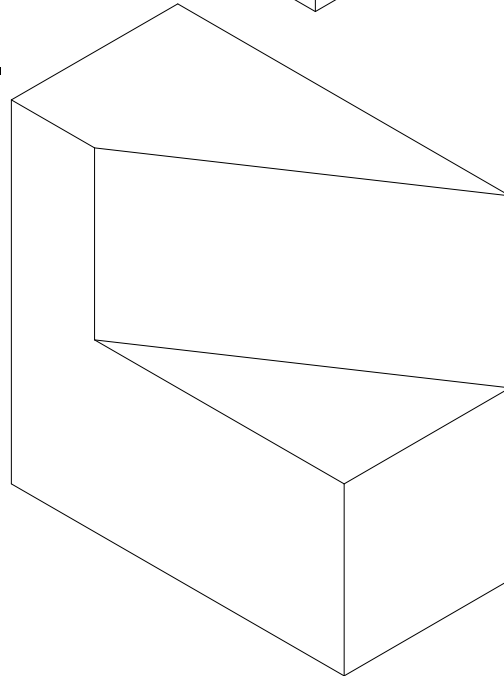
4.



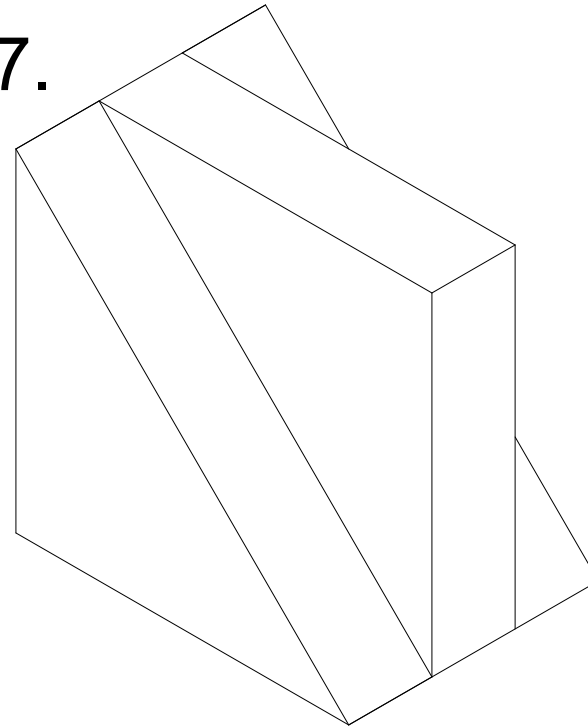
5.



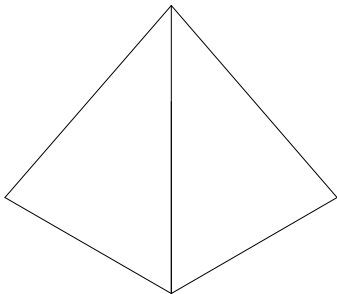
6.



7.



8.



**STEVENSON HIGH SCHOOL**  
TECHNOLOGY EDUCATION DEPARTMENT  
TECHNICAL DRAWING PROGRAM

DRN BY: MAKALA UDONI

DATE: 11-3-11

SCALE: FULL

ISOMETRIC PRACTICE 2

1

1