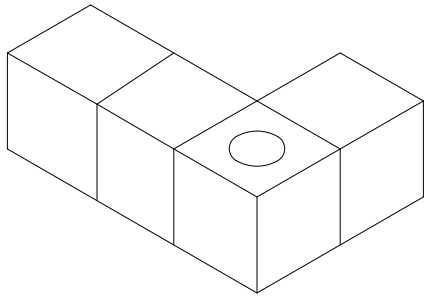
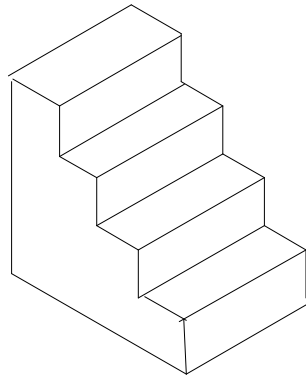


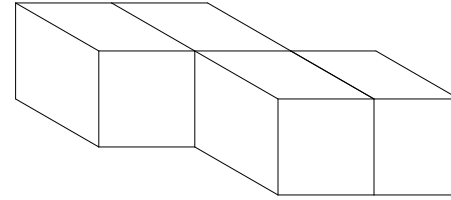
1)



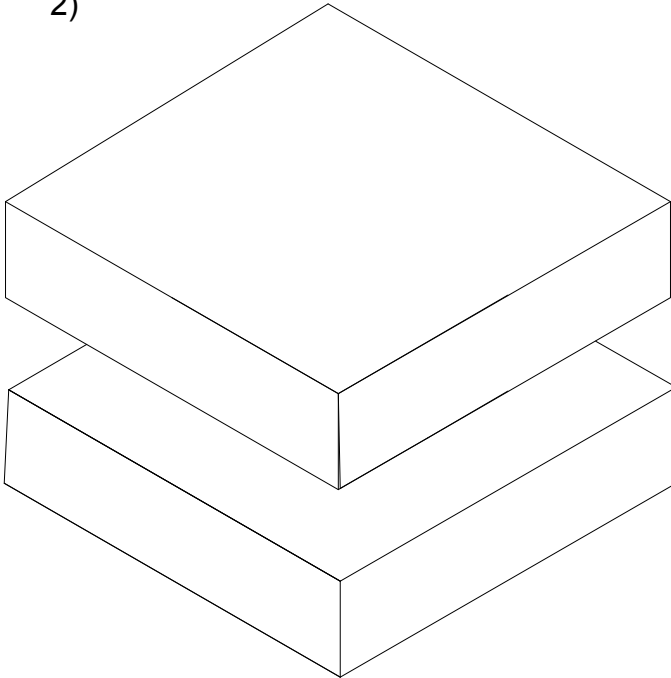
3)



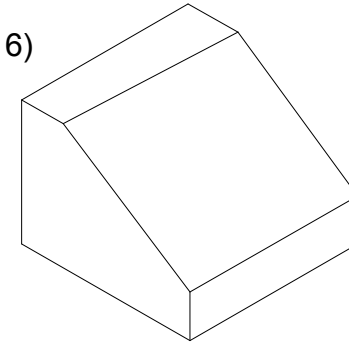
5)



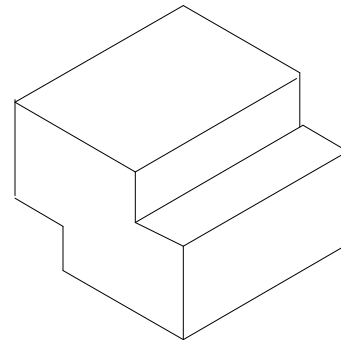
2)



6)



4)



STEVENSON HIGH SCHOOL
TECHNOLOGY EDUCATION DEPARTMENT
TECHNICAL DRAWING PROGRAM

DRN BY: MITCHELL WILDE

DATE:10/28/11

SCALE: HALF

ISOPRACTICE 1

1

1