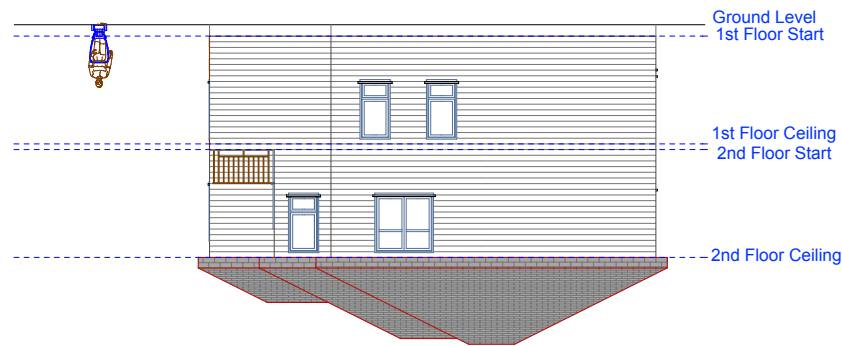
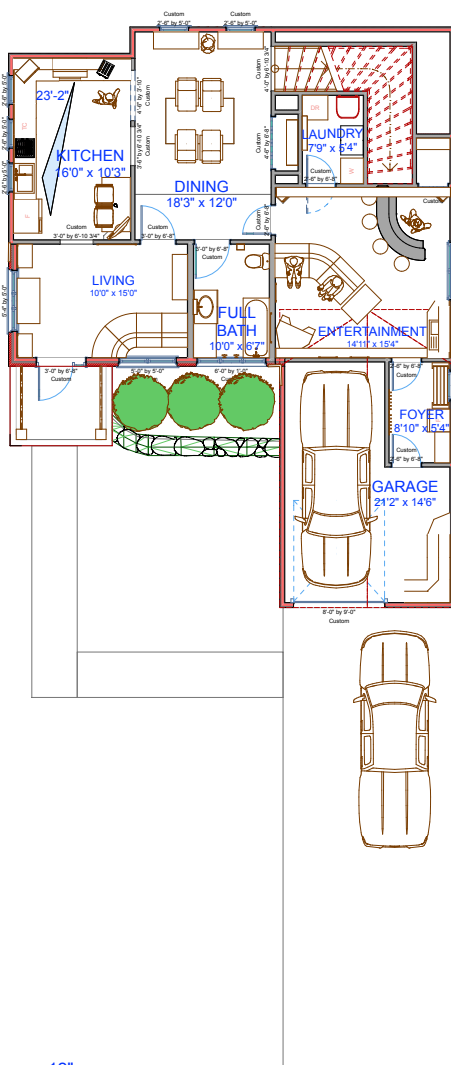
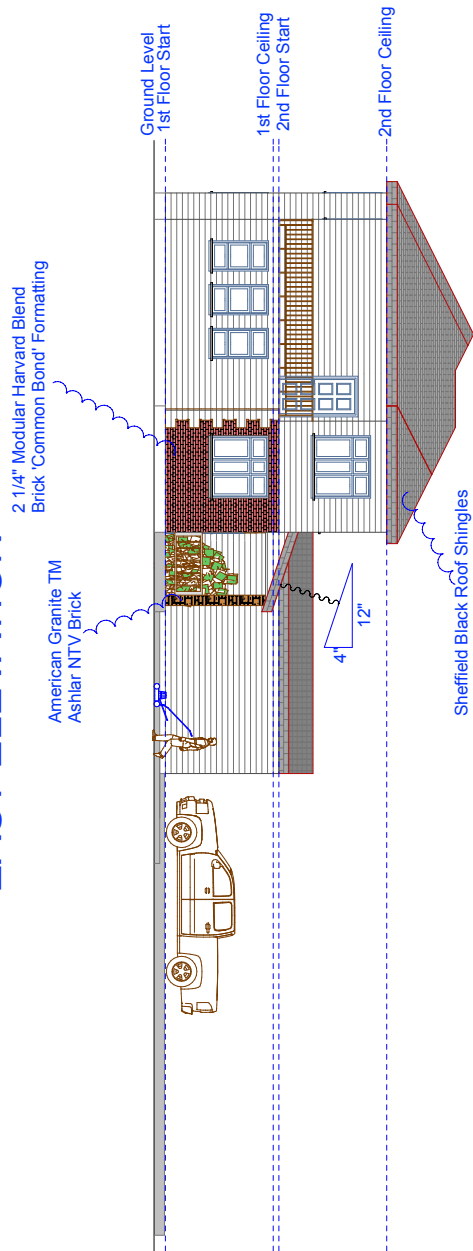


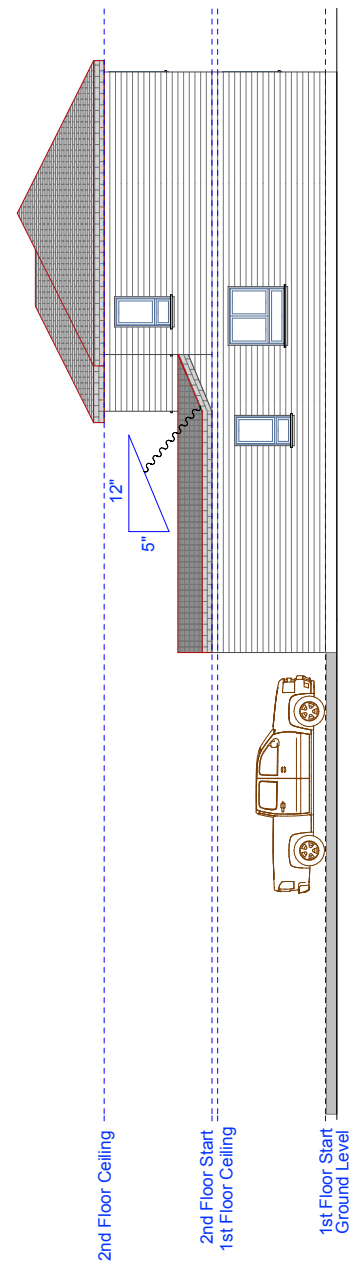
SOUTH ELEVATION



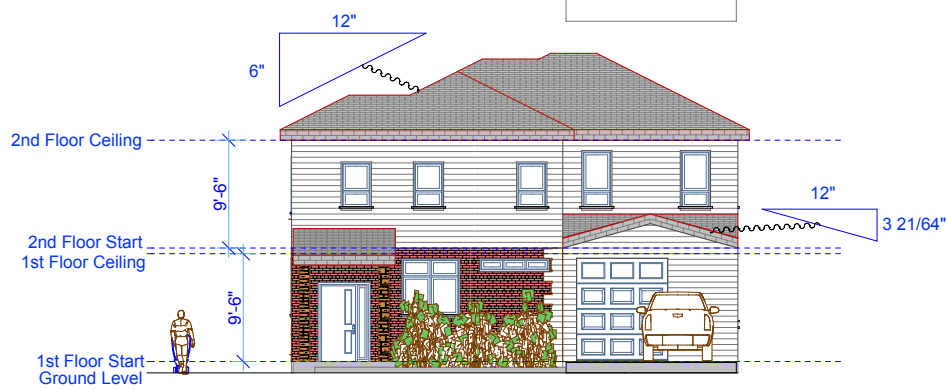
EAST ELEVATION



WEST ELEVATION



NORTH ELEVATION



STEVENSON HIGH SCHOOL
TECHNOLOGY EDUCATION DEPARTMENT
TECHNICAL DRAWING PROGRAM
ADVANCED TECHNICAL DRAWING

FINISHED ELEVATIONS

CINDY RUDY
301 REDBUD PLACE
BUFFALO GROVE, IL 60089

JOEY RUDY

1/23/12

FULL

"PAGE 1 of 10"

UPRISE INC.
3409 N. WUDDAHEK RD.
GWADDALAHUTA, TX. 60598

