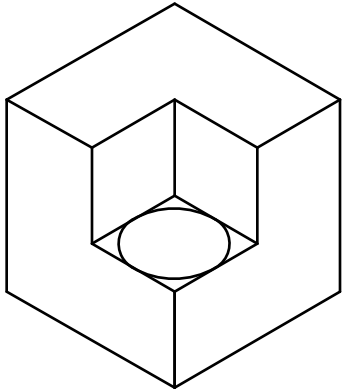
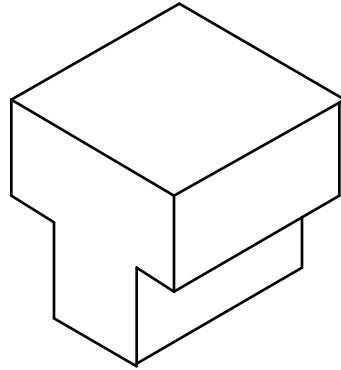


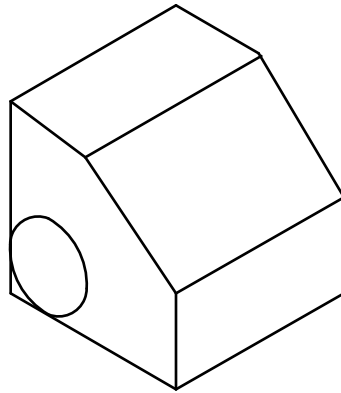
1.



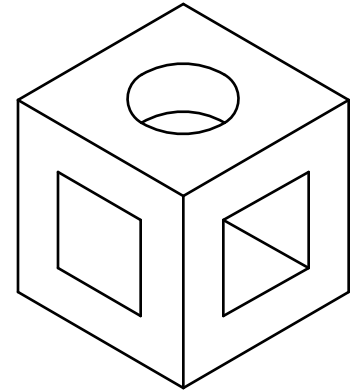
2.



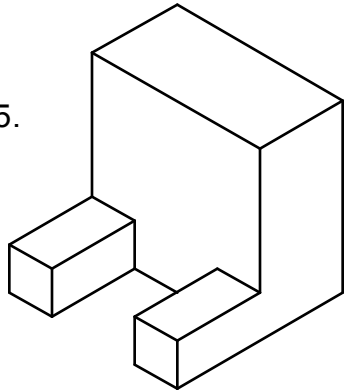
3.



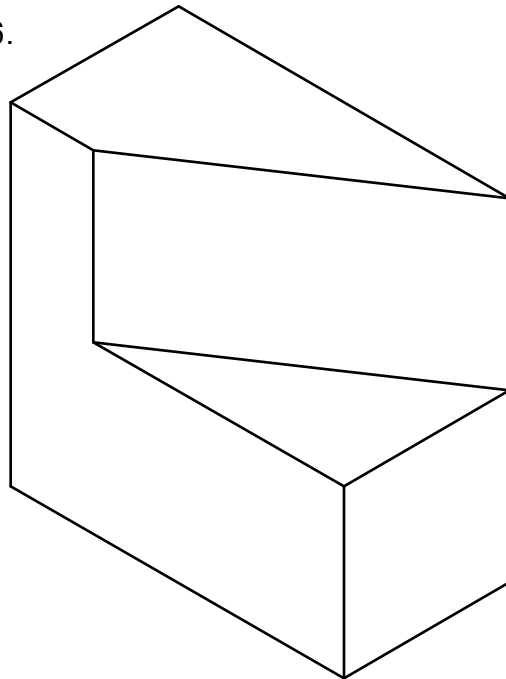
4.



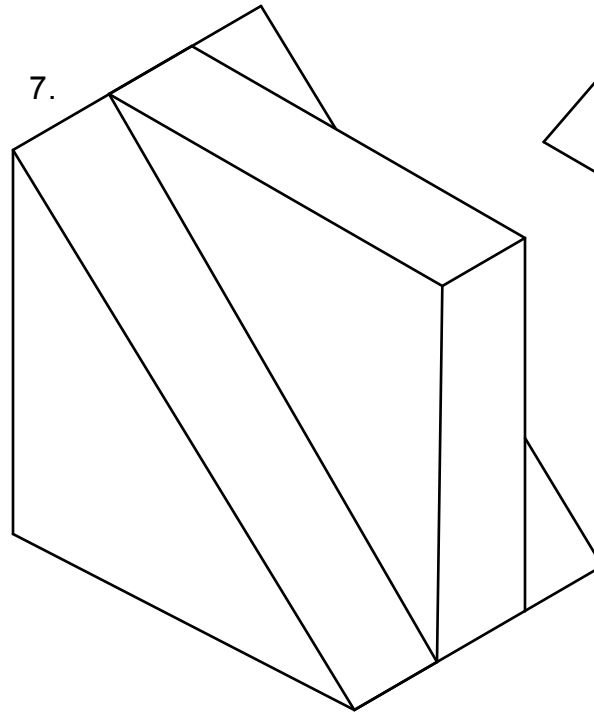
5.



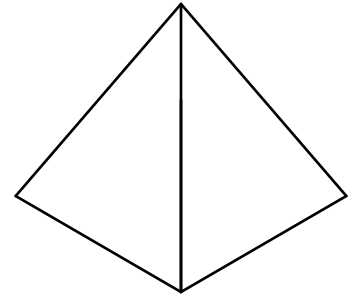
6.



7.



8.



**STEVENSON HIGH SCHOOL**  
TECHNOLOGY EDUCATION DEPARTMENT  
TECHNICAL DRAWING PROGRAM

DRN BY: BIANCA JI

DATE: 10/24/11

SCALE:

ISO-SKETCH 2

1

1