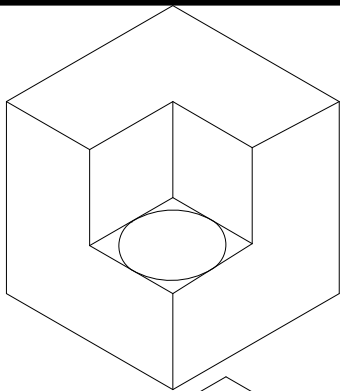
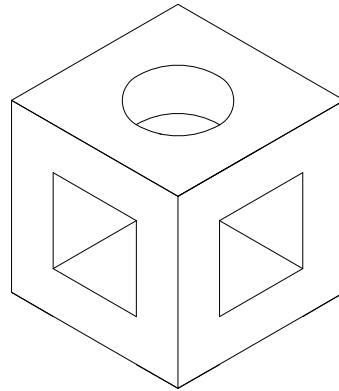


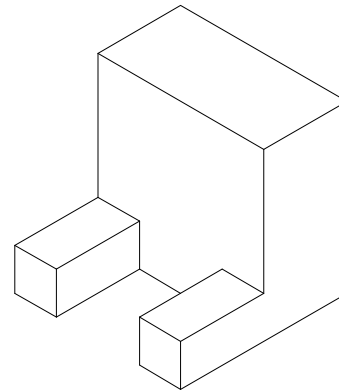
1.



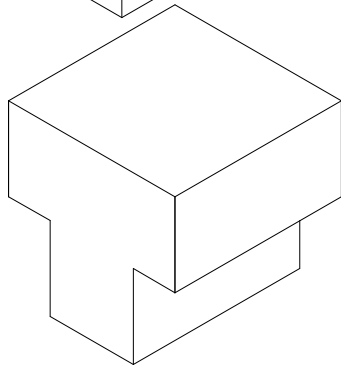
4



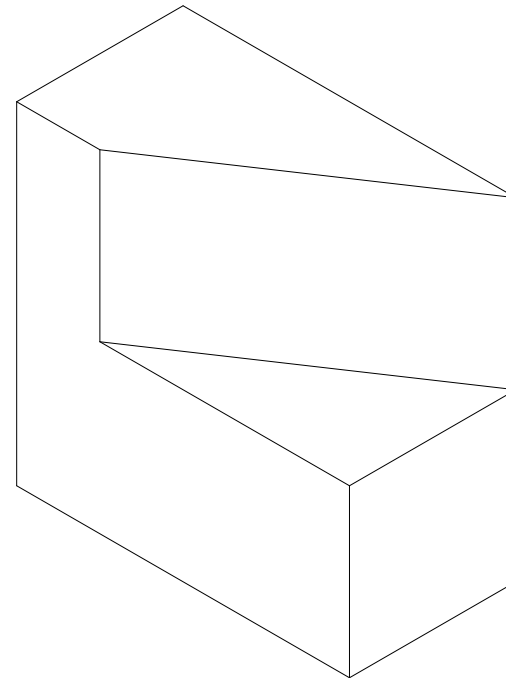
5



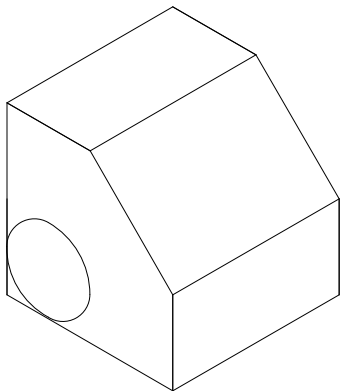
2



6



3



**STEVENSON HIGH SCHOOL**  
TECHNOLOGY EDUCATION DEPARTMENT  
TECHNICAL DRAWING PROGRAM

DRN BY: Steven Mitchell

DATE:

SCALE:

Iso Sketch 1

1

1