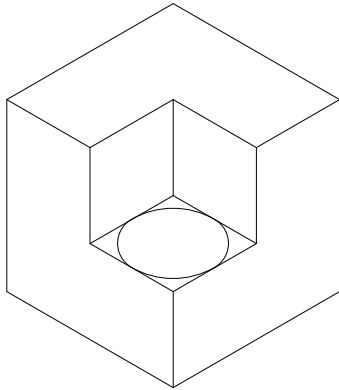
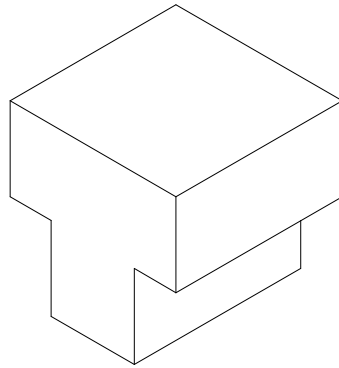


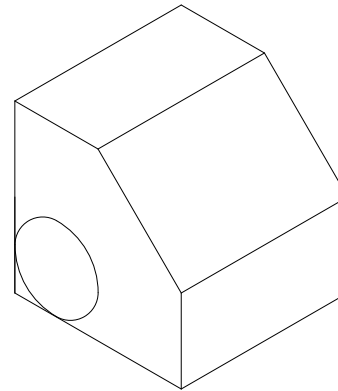
1.



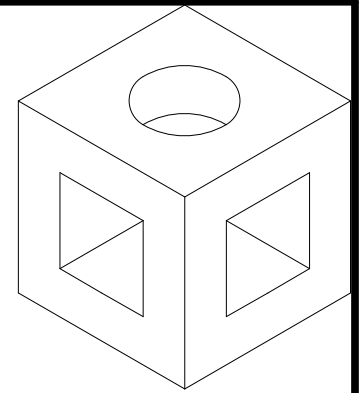
2.



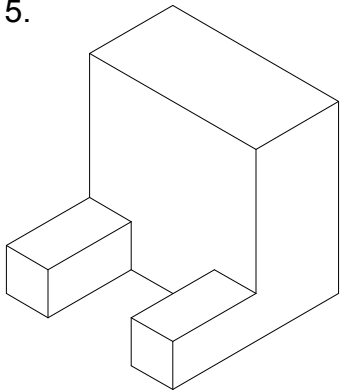
3.



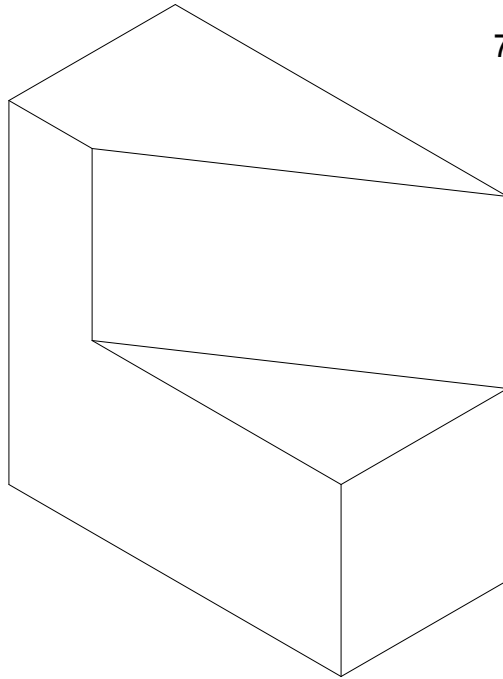
4.



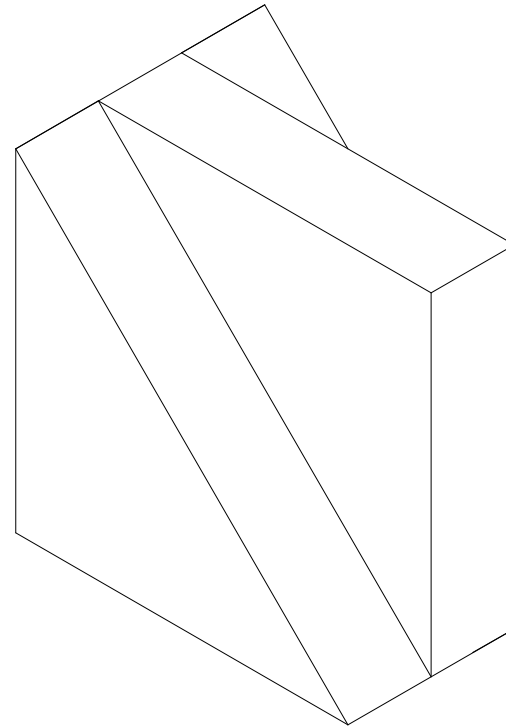
5.



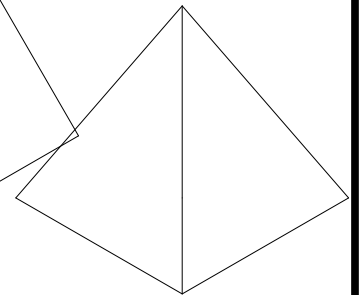
6.



7.



8.



STEVENSON HIGH SCHOOL

TECHNOLOGY EDUCATION DEPARTMENT
TECHNICAL DRAWING PROGRAM

DRN BY: Doug Needel

DATE: 8/24/11

SCALE:

Isometric Worksheet

1

1