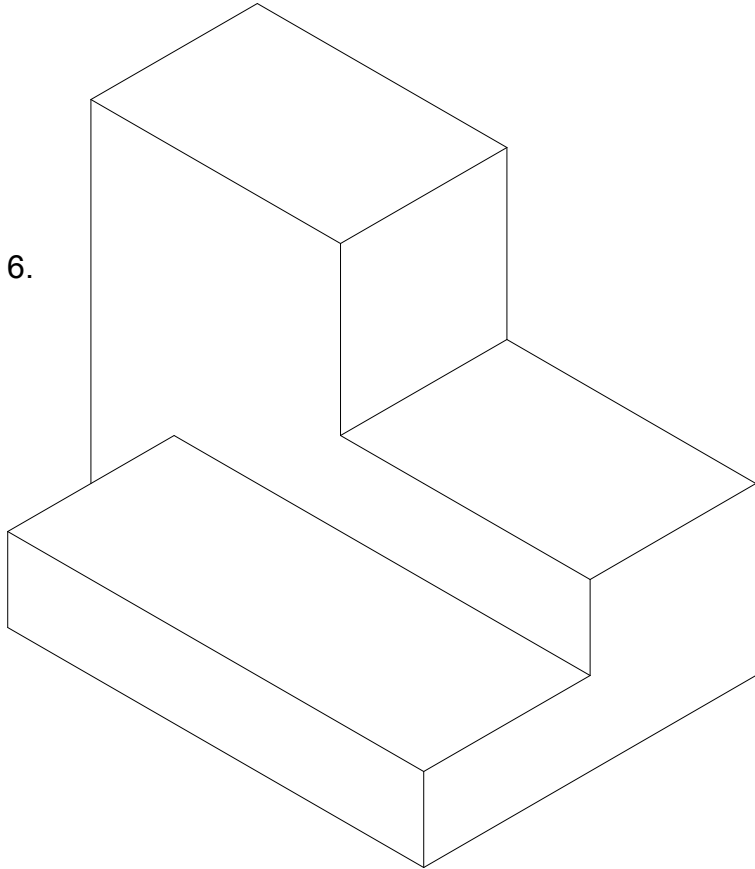
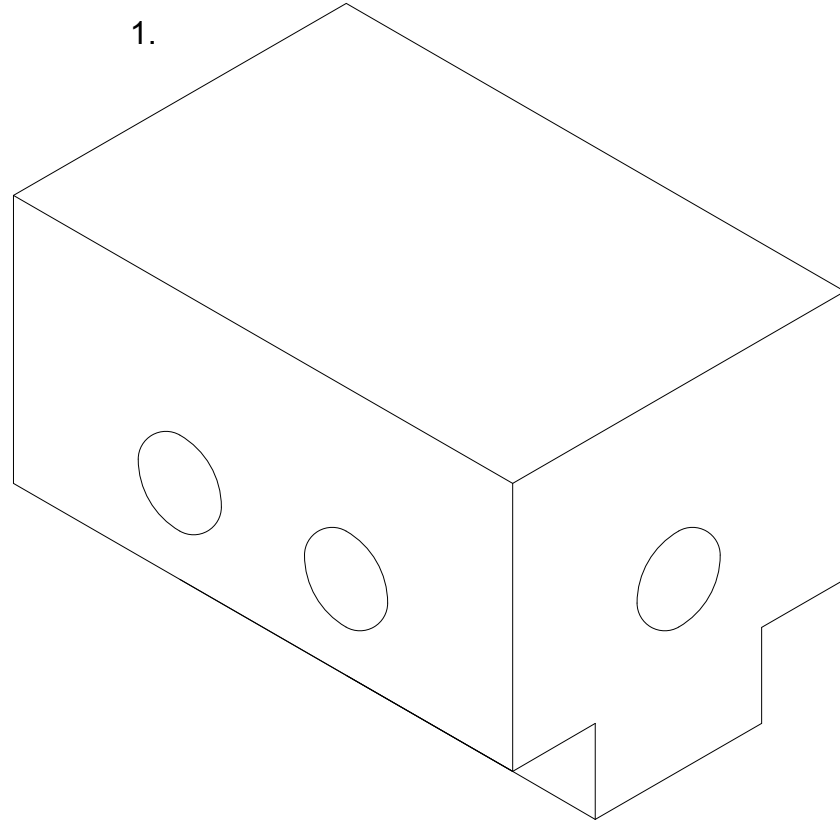


6.



1.



STEVENSON HIGH SCHOOL
TECHNOLOGY EDUCATION DEPARTMENT
TECHNICAL DRAWING PROGRAM

DRN BY: Jordan R

DATE: 11/4/11

SCALE: 1-1

Multiview Isometric
Sketches Back

1

1