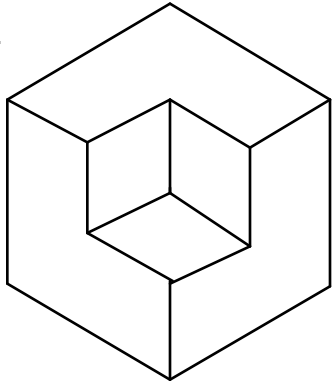
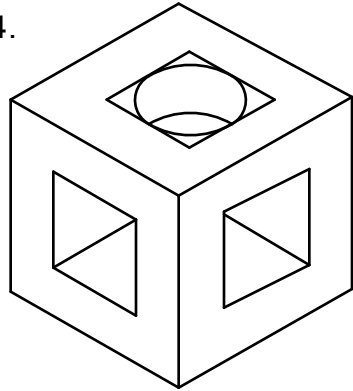


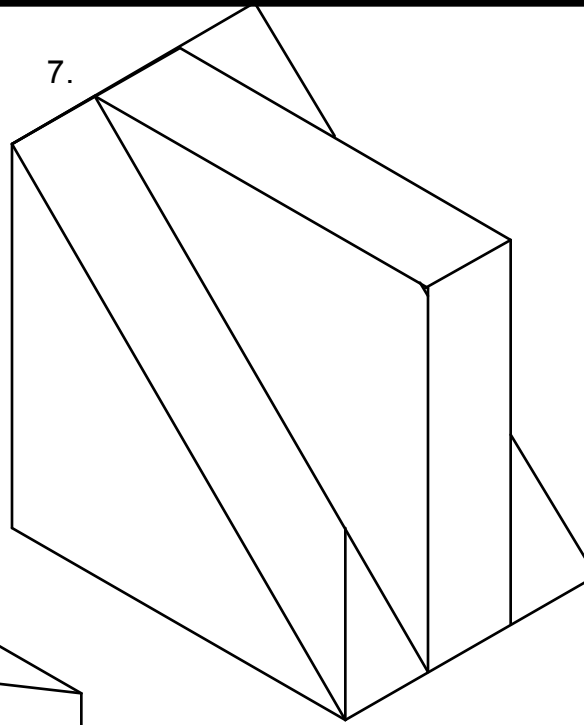
1.



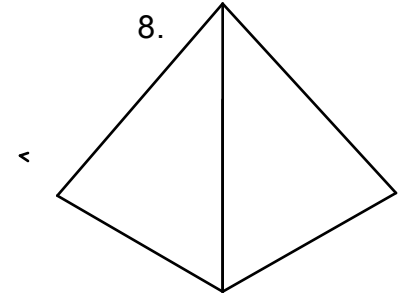
4.



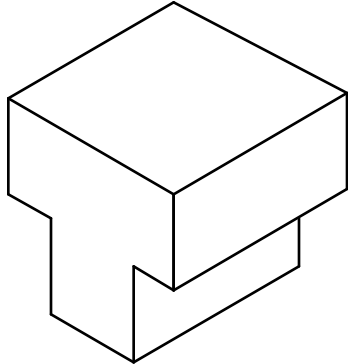
7.



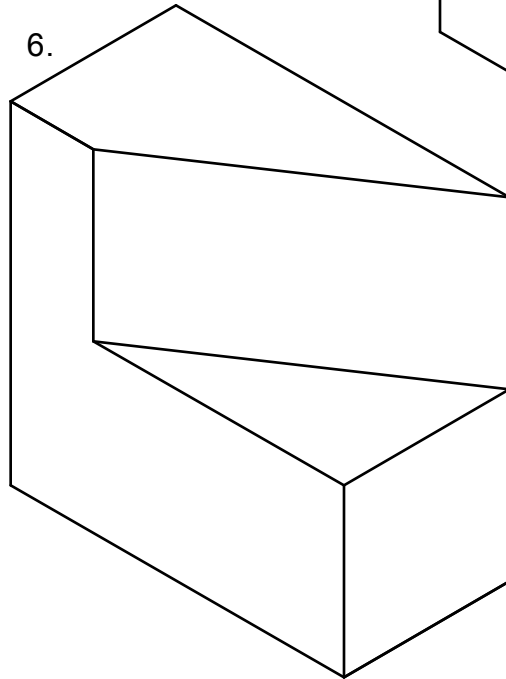
8.



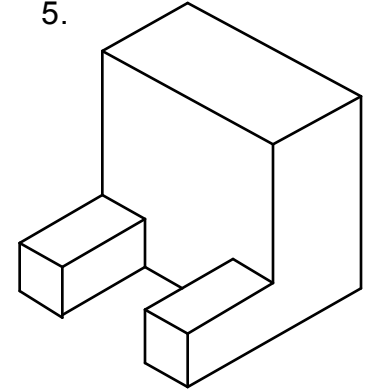
2.



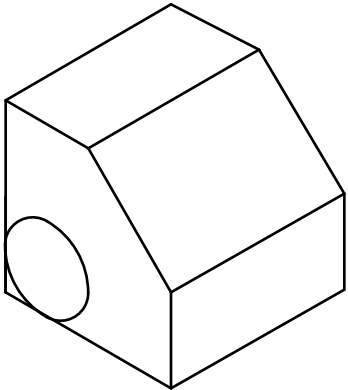
6.



5.



3.



STEVENSON HIGH SCHOOL
TECHNOLOGY EDUCATION DEPARTMENT
TECHNICAL DRAWING PROGRAM

DRN BY: JUSTIN W

DATE:

SCALE:

1

1