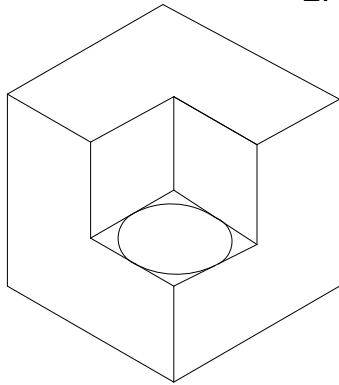
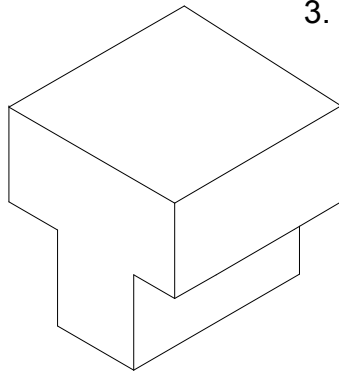


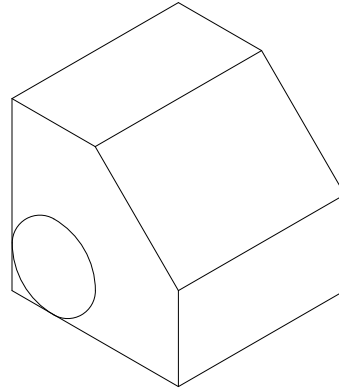
1.



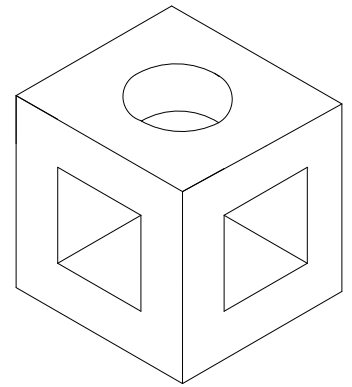
2.



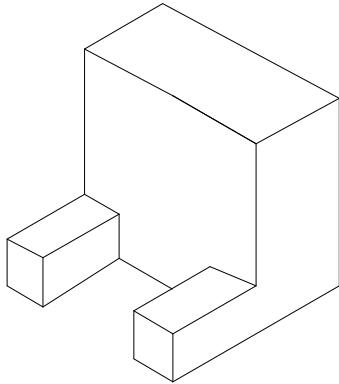
3.



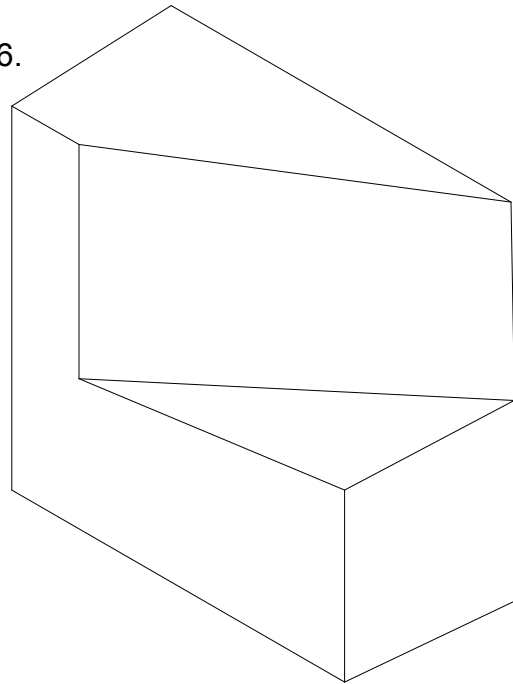
4.



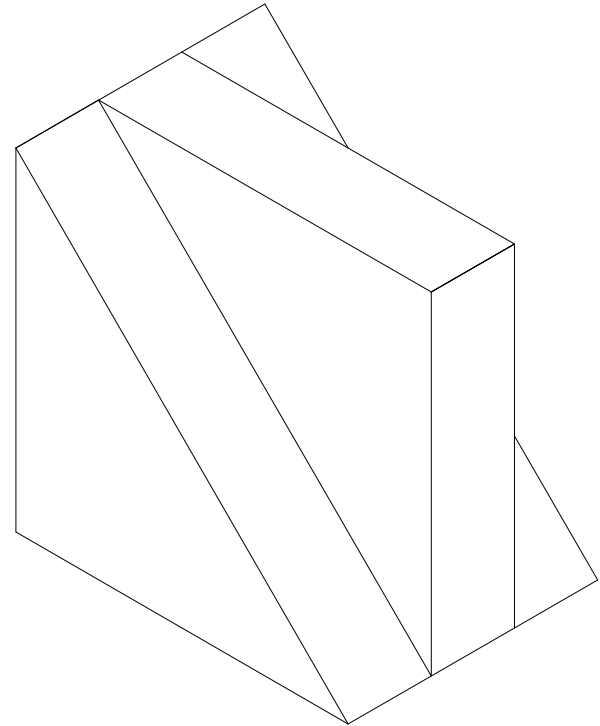
5.



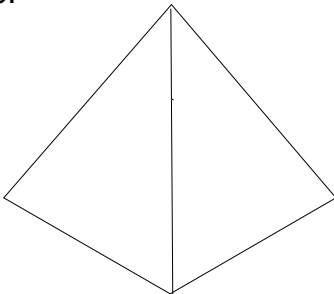
6.



7.



8.



# STEVENSON HIGH SCHOOL

TECHNOLOGY EDUCATION DEPARTMENT  
TECHNICAL DRAWING PROGRAM

DRN BY: EMILY Z

DATE: 10-24-11

SCALE: 1 - 1

ISOMETRIC WORKSHEET

1

1