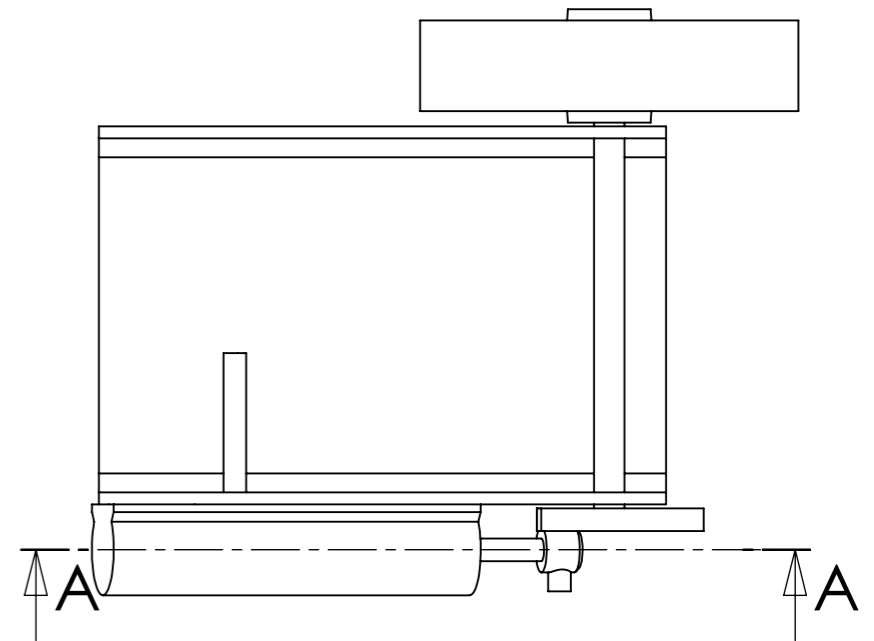
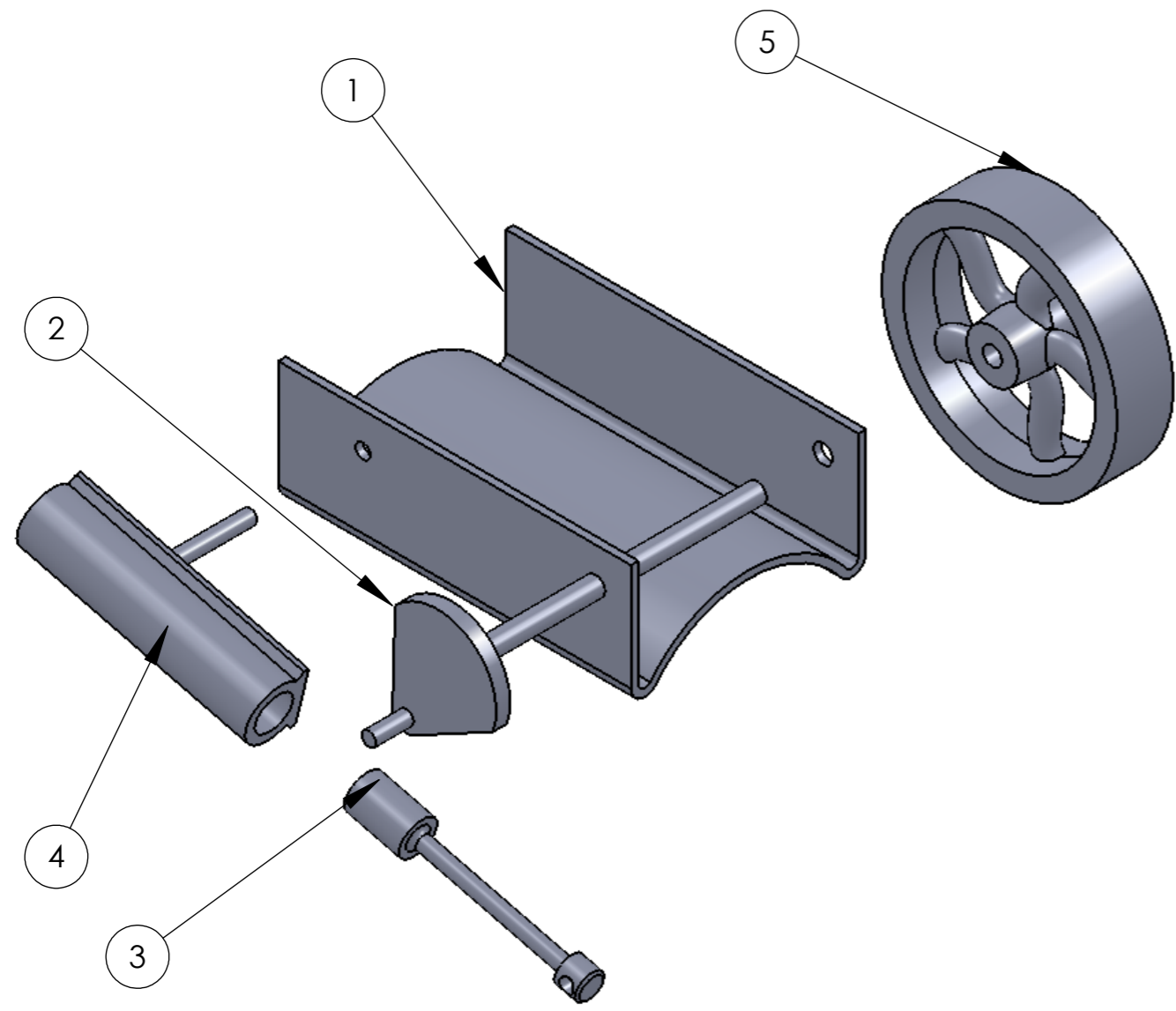


SECTION A-A



ITEM NO.	PART NUMBER	DESCRIPTION	Separated/QTY.
1	Video5		1
2	Video4		1
3	Video3		1
4	video7		1
5	Video8		1

UNLESS OTHERWISE SPECIFIED: DIMENSIONS ARE IN MILLIMETERS SURFACE FINISH: TOLERANCES: LINEAR: ANGULAR:			FINISH:	DEBUR AND BREAK SHARP EDGES	DO NOT SCALE DRAWING	REVISION
NAME	SIGNATURE	DATE			TITLE:	
DRAWN						
CHK'D						
APPV'D						
MFG						
Q.A				MATERIAL:	DWG NO.	Video6
					SCALE:1:1	A3
				WEIGHT:		SHEET 1 OF 1