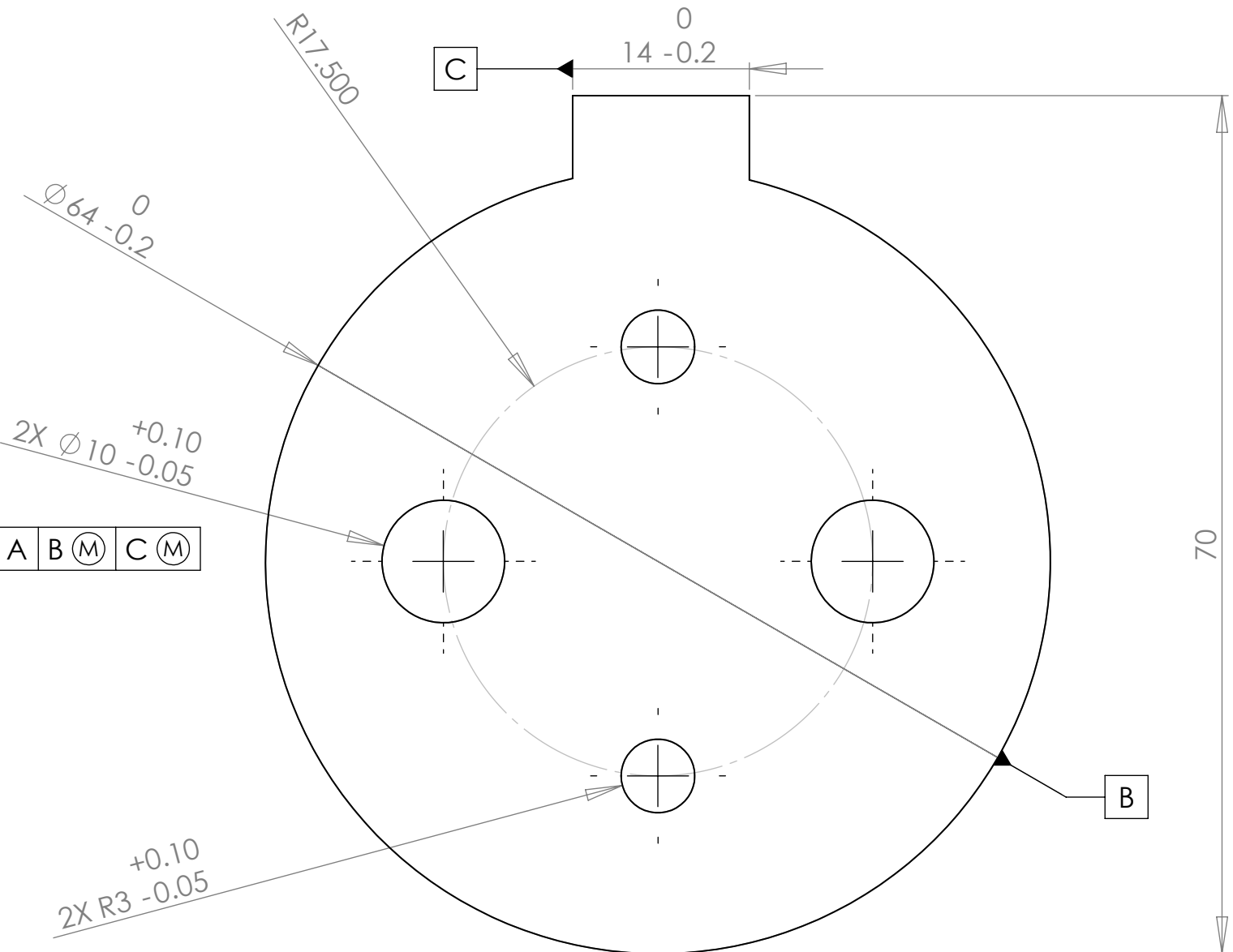


A



C

B

70

14<sup>0</sup><sub>-0.2</sub>

R17.500

Ø64<sup>0</sup><sub>-0.2</sub>

2X Ø10<sup>+0.10</sup><sub>-0.05</sub>

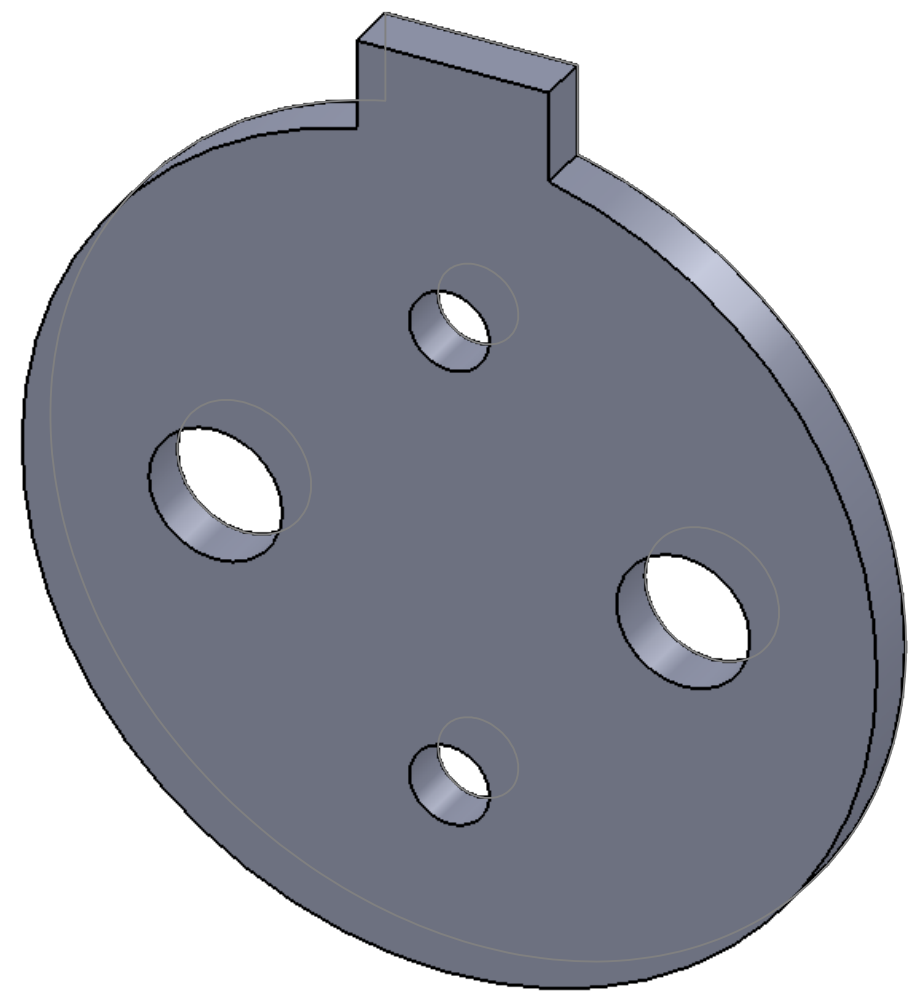
2X R3<sup>+0.10</sup><sub>-0.05</sub>

⊕ ⌀ .5 (M) A B (M) C (M)

SEP REQ T

⊕ ⌀ .7 (M) A B (M) C (M)

SEP REQ T



DESIGNS BY  
 ROCHELLE  
 CHAPEL OAKS  
 BUFFALO  
 GROVE, IL

DRN BY: ROCHELLE K.

Date: JANUARY 8

SCALE: FULL

DRAFTING PROBLEM 24

1/1