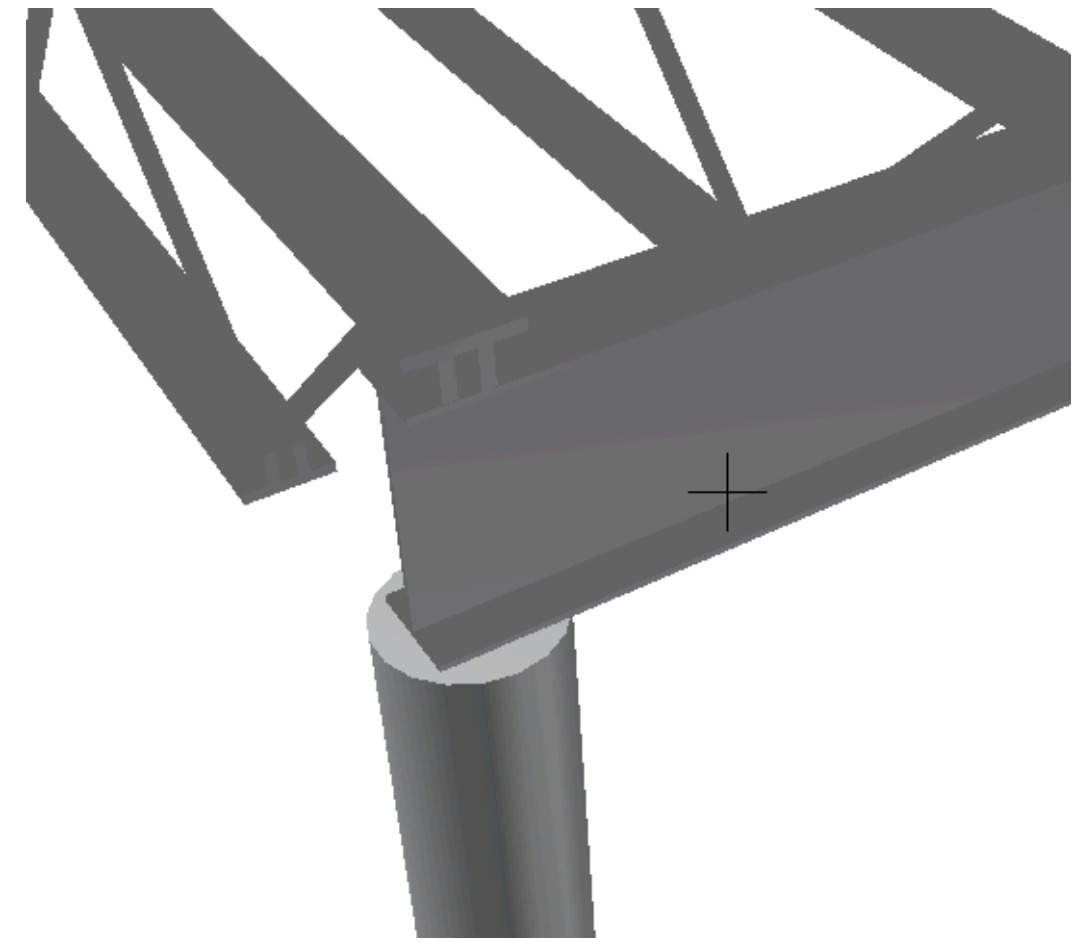
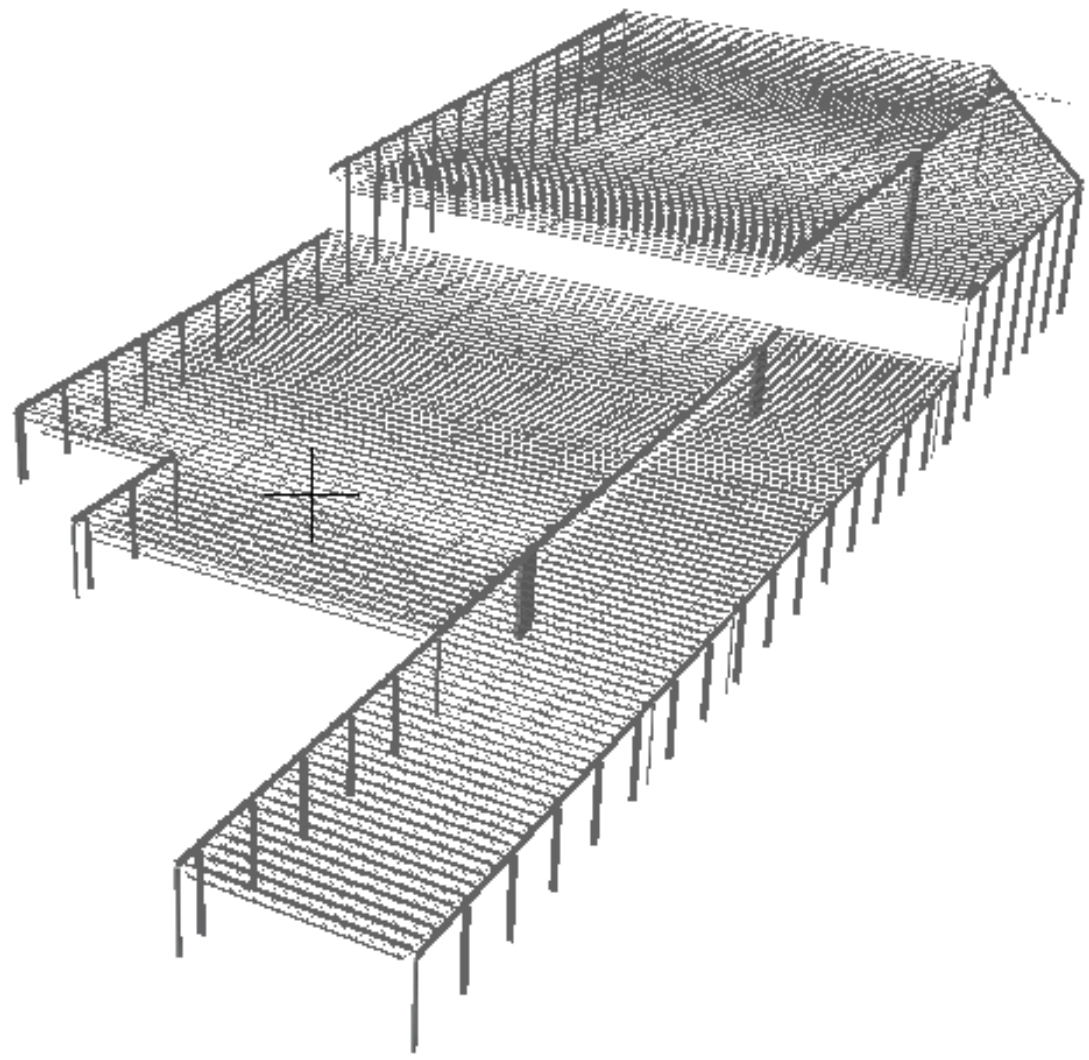
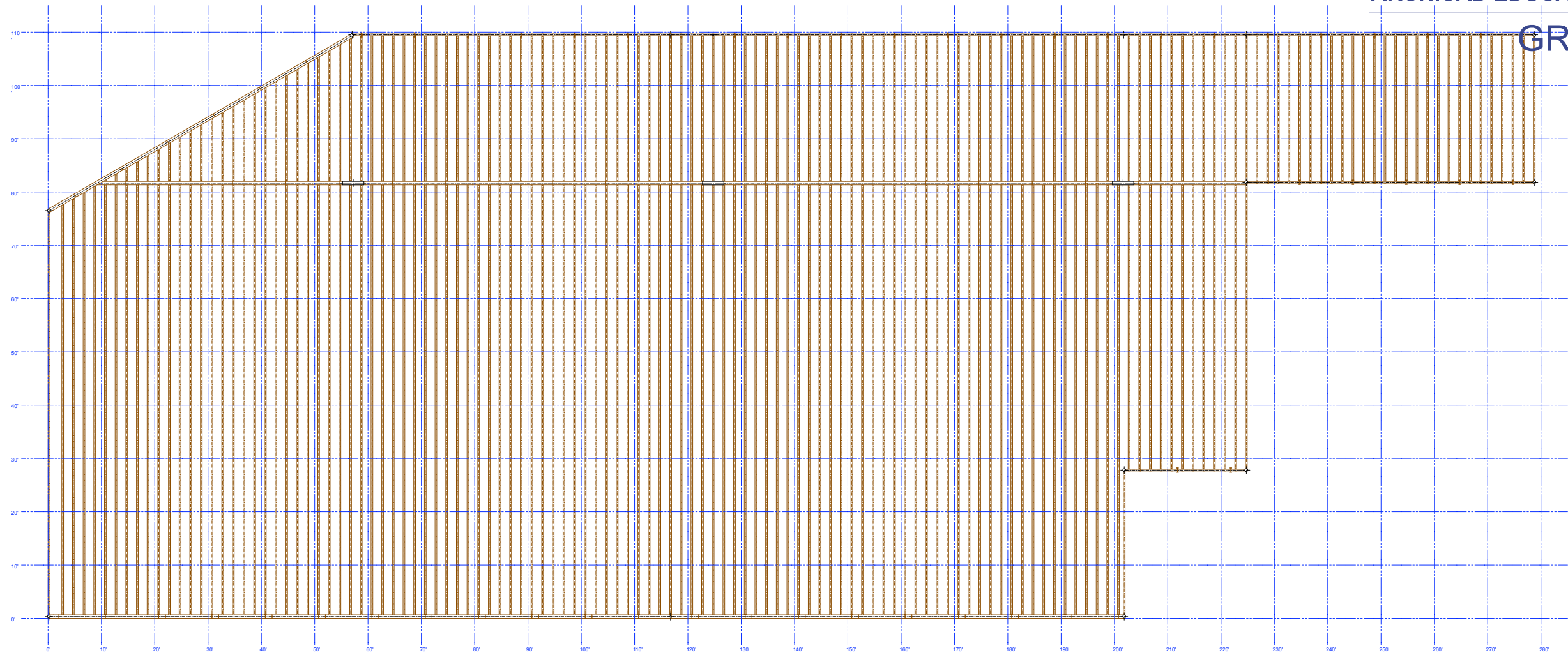


STRUCTURAL SCHEDULE								
TRUSSES			BEAMS			COLUMNS		
SYM	DESIGNATION	QTY	SYM	DESIGNATION	QTY	SYM	DESIGNATION	QTY
IT1	18LH07	110	EB1,2	W10 x 15	22	CC	6.625" OD	8
IT2	32LH12	12	EB3	W12 x 19	3	EC	6" x 4" TS	47
IT4	44LH17	100	EB4	W10 x 33	20	IC	W 8" x 48"	3
ET1,3	18LH02	1	IB1	W10 X 38.3	20	EEC	3.5" OD	4
ET2	28LH08	1						
ET4	40LH13	1						



LJK ARCHITECTURE
360 BUTTERNUT DR
BUFFALO GROVE, IL 60089

STRUCTURAL

"PAGE 1 of 10"

1/4" = 1'

3/17/10

LONDON
KOWALSKI

STEVENSON HIGH SCHOOL
TECHNOLOGY EDUCATION DEPARTMENT
TECHNICAL DRAWING PROGRAM
ADVANCED TECHNICAL DRAWING

