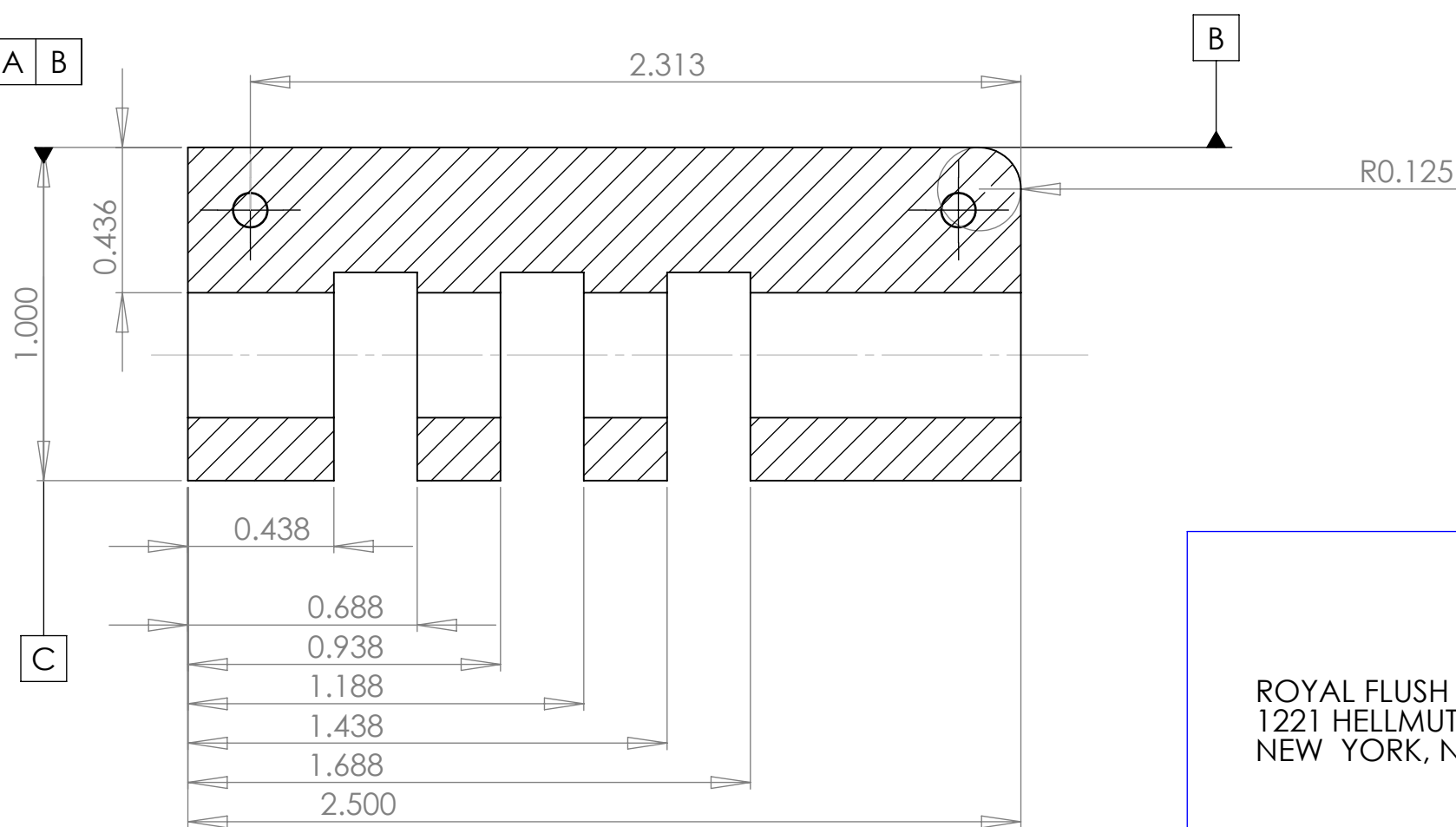


	$\phi 0.375$		
\oplus	$\phi .025$ (M)	A	B
\oplus	$\phi .015$ (M)		



SECTION A-A

NAME : MIKE ROSS

DATE : 12/15/09

ROYAL FLUSH ENG.
1221 HELLMUTH BLVD
NEW YORK, NY

